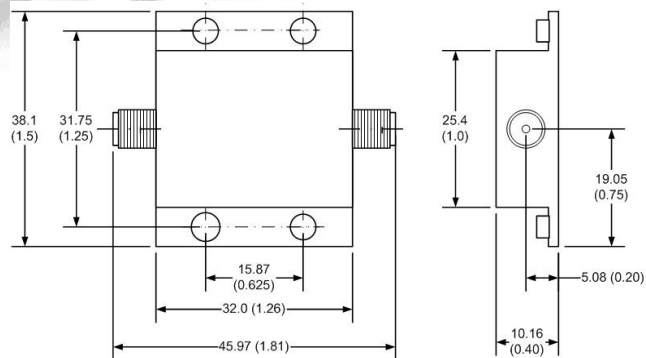
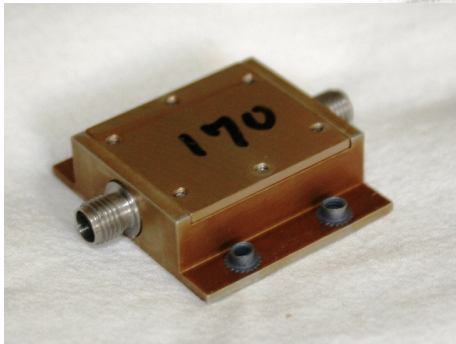


# Fixed Coaxial Attenuator Low-Profile/Flange Mount

# MODEL WA200271

**DC – 3.0 GHz**

**10 WATTS**



## Features

SMA, stainless steel, F/F connectors per MIL-STD-348A, interface dimensions mate non-destructively per MIL-PRF-39012.

Designed and tested to meet the standards of MIL-DTL-3933. Additional dB values available upon request.

## Specifications

**Nominal Impedance:** 50 ohms.

**Frequency Range:** DC – 3.0 GHz.

**Power Sensitivity:** < 0.0005 dB/dB/W;  
Bidirectional in power.

**Power Rating (over temperature):**

- 10 W CW
- 800 W pk, 33 microsec pulse width, 1% Duty Cycle.
- 1.8 kW pk, 1 microsec pulse width, .025% Duty Cycle.

**Standard Nominal Values and Deviations:**

Attenuation (dB)	Accuracy ± dB
	DC – 3.0 GHz
3	0.25

**Temperature Range:**

- 65°C to +125°C, Storage.
- 54°C to +95°C, Operating.

**Temperature Coefficient:** < 0.0004 dB/dB/°C

**Construction:** Gold Iridite aluminum alloy body with passivated stainless steel connectors. Gold plated beryllium copper contacts.

**Calibration:** Insertion Loss and VSWR performed across frequency range. Calibration test data available at additional cost.

**Maximum VSWR:**

Frequency (GHz)	VSWR 3 dB
DC – 3.0	1.40

**Weight:** 0.14 kg/5 oz max.

**Physical Dimensions:**

- 45.97 x 38.1 x 10.16 mm.
- 1.81 x 1.50 x 0.40 inches.

**Mounting:** Flange mount with four (4) 4-40 self-clinching fasteners.

Note: Dimensions are given in mm (inches) and are maximum, unless otherwise specified



## WEINSCHTEL ASSOCIATES

TEL: 877.948.8342 / 301.963.4630 ♦ Fax: 301.963.8640

WEB: <http://www.WeinschelAssociates.com>

EMAIL: [sales@WeinschelAssociates.com](mailto:sales@WeinschelAssociates.com)

70

Specification  
Subject to change  
without notice