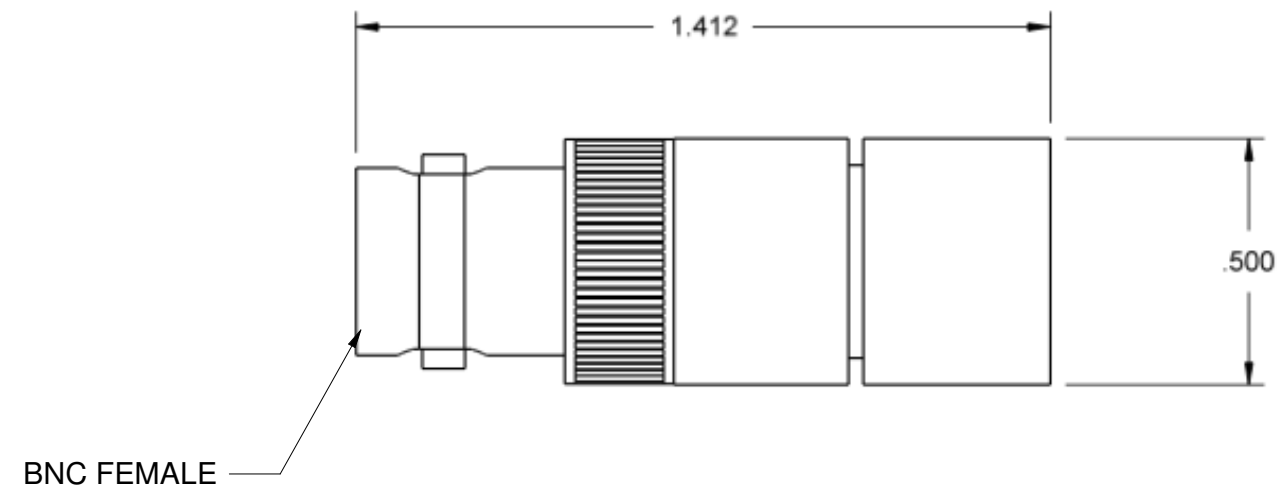


REVISIONS				
ZONE	REV	DESCRIPTION	DATE	APPROVED

SPECIFICATIONS

IMPEDANCE: 50 OHMS, NOMINAL
 FREQUENCY RANGE: DC 6 GHz (USEABLE TO 12 GHz)
 POWER HANDLING: 2 W AVERAGE AT +25 C DERATED TO
 0 W AT +125 C. 1 kW PEAK (5 MICROSECOND PW, 0.1% DUTY CYCLE)
 TEMPERATURE RANGE: -55 C TO +125 C
 VSWR:
 DC - 4 GHz, 1.20:1 MAXIMUM
 4 GHz - 6 GHz, 1.30:1, MAXIMUM



DIMENSIONS IN INCHES 3 PLCS +/- .003 2 PLCS +/- .01 FRACTIONS +/- 1/64 ANGLES +/- 1/2 DEG UNLESS OTHERWISE SPECIFIED	DRAWN D. HEFT	DATE 09/12/12	WEINSCHEL ASSOCIATES 19212 ORBIT DRIVE GAITHERSBURG, MD 20879			
	CHECKED					OUTLINE DRAWING WA1418-1, BNC(F), 2 W TERMINATION
	QA		SIZE B	FSCM NO. 0H3E9	DWG NO.	
	MAT'L: NA	MFG		SCALE NONE	SHEET 1 OF 1	
FINISH: NA	APPROVED					