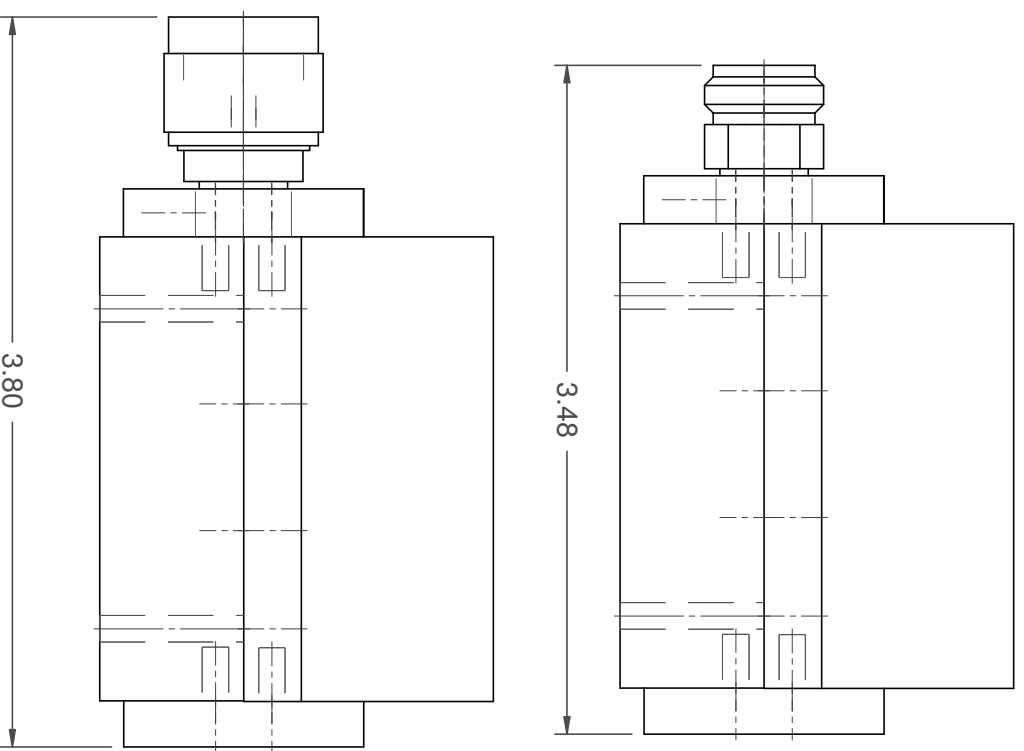
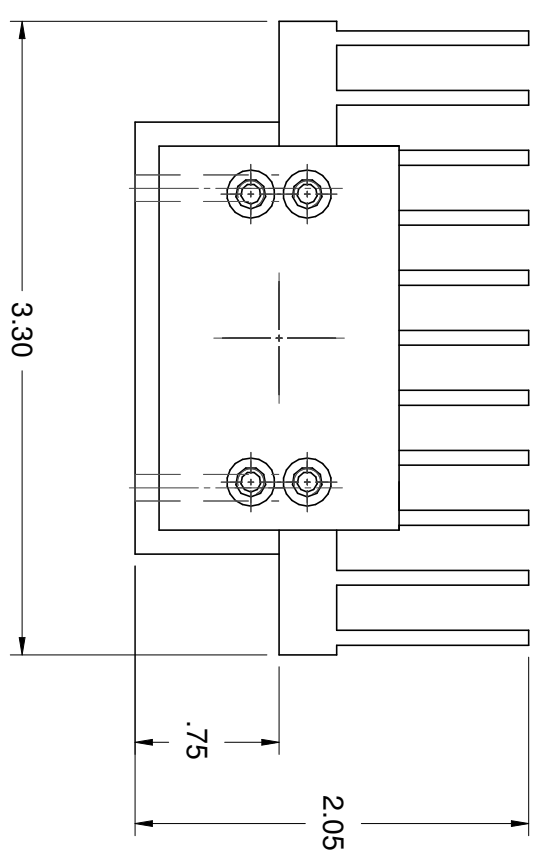
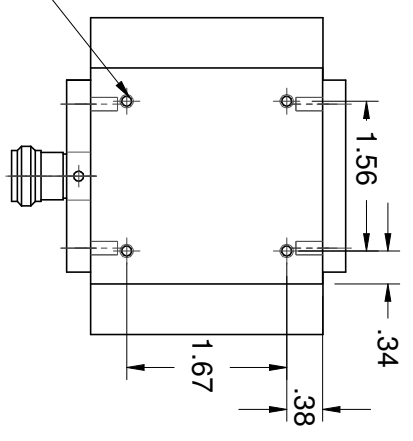


NOTES:
1.



6-32 UNC-2B ∇ .350
4 PLCS



REVISIONS				
ZONE	REV	DESCRIPTION	DATE	APPROVED

DIMENSIONS IN INCHES
3 PLCS +/- .003
2 PLCS +/- .01
FRACTIONS +/- 1/64
ANGLES +/- 1/2 DEG
UNLESS OTHERWISE SPECIFIED

MAT'L: NA
FINISH: NA

DRAWN D. HEFT	DATE 2/1/07
CHECKED	
QA	
MFG	
APPROVED	

WEINSCHEL ASSOCIATES
19212 ORBIT DRIVE
GAITHERSBURG, MD 20879

OUTLINE DRAWING

WA1430 TERMINATION

SIZE B	FSCM NO. 0H3E9	DWG NO. B	REV
SCALE 1:1	SHEET 1 OF 1		

PROPERTY OF NVISION INDUSTRIES, INC. COMPANY CONFIDENTIAL