



REVISIONS				
ZONE	REV	DESCRIPTION	DATE	APPROVED

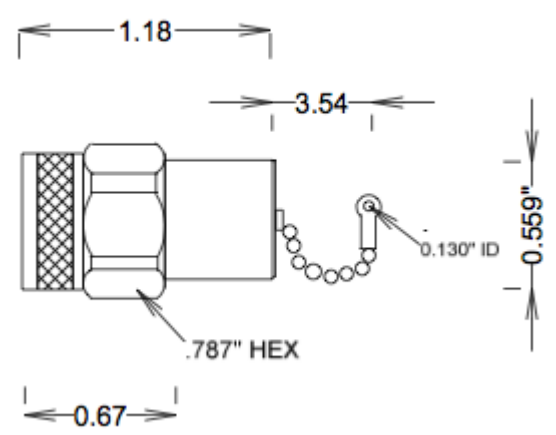
SPECIFICATIONS

ELECTRICAL:

FREQUENCY: 0-18 GHZ
 VSWR @ 18 GHZ: 1.25:1 MAX
 POWER (AVG) 2 WATTS @ 25 DEG C
 DERATES LINERLY TO 1W @ 125 DEG C
 POWER (PEAK) 1KW/50 MICRO-S
 IMPEDANCE: 50 OHMS
 OP. TEMP RANGE: -55C- +125C

MECHANICAL:

MATERIAL BODY: BRASS w TRI-METAL PLATING
 CENTER CONTACT: GOLD PLATED PER MIL-G-45204
 RESISTIVE ELEMENT: THIN FILM ON ALUMINA SUBSTRATE



DIMENSIONS IN INCHES 3 PLCS +/- .003 2 PLCS +/- .01 FRACTIONS +/- 1/64 ANGLES +/- 1/2 DEG UNLESS OTHERWISE SPECIFIED	DRAWN	DATE	WEINSCHEL ASSOCIATES 19212 ORBIT DRIVE GAITHERSBURG, MD 20879			
	D. HEFT	10/7/11				
	CHECKED		TERMINATION, N-TYPE MALE, 12.4 GHz, WA1455/12-4C			
	QA					
MAT'L: NA	MFG		SIZE	FSCM NO.	DWG NO.	REV
FINISH: NA	APPROVED		B	0H3E9		
			SCALE			SHEET
			NONE			1 OF 1