

**SPECIFICATIONS**

**ELECTRICAL:**

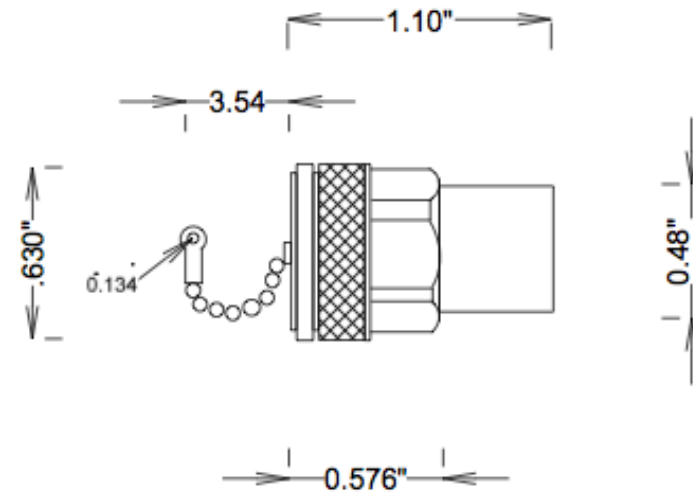
FREQUENCY: dc~12.4 GHz  
 VSWR @ 12.4 GHz: 1.25:1 MAX  
 POWER (AVG): 2 WATTS @25 DEG C  
 DERATES LINEARLY TO 1 W @ 125 DEG C  
 POWER (PEAK): 1 kW/50 MICROSECOND PW  
 IMPEDANCE: 50 OHMS NOMINAL  
 OPERATING TEMPERATURE RANGE: -55 TO +125 C

**MECHANICAL:**

**MATERIAL:**

BODY: BRASS WITH TRI-METAL PLATING  
 CENTER CONTACT: GOLD PLATED PER MIL-G-45204

REVISIONS				
ZONE	REV	DESCRIPTION	DATE	APPROVED



DIMENSIONS IN INCHES 3 PLCS +/- .003 2 PLCS +/- .01 FRACTIONS +/- 1/64 ANGLES +/- 1/2 DEG UNLESS OTHERWISE SPECIFIED	DRAWN D. HEFT	DATE 3/7/11	<b>WEINSCHEL ASSOCIATES</b> 19212 ORBIT DRIVE GAITHERSBURG, MD 20879			
	CHECKED					<b>TERMINATION, TNC(M), WITH CHAIN</b> <b>2W, 12.4 GHz, WA1455/12-6C</b>
	QA		SIZE <b>B</b>	FSCM NO. 0H3E9	DWG NO. WA1455/12-6C	
	MAT'L: SEE NOTES	MFG		SCALE NONE	SHEET 1 OF 1	
FINISH: SEE NOTES	APPROVED					