



NOTES:
1.

REVISIONS				
ZONE	REV	DESCRIPTION	DATE	APPROVED

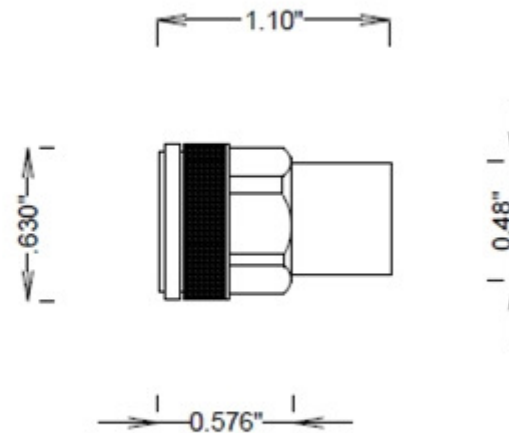
SPECIFICATIONS

ELECTRICAL:

FREQUENCY: 0-18 GHZ
 VSWR @ 18 GHZ: 1.3:1 MAX
 POWER (AVG) 2 WATTS @ 25 DEG C
 DERATES LINEARLY TO 1W @ 125 DEG C
 POWER (PEAK) 1KW/50 MICRO-S
 IMPEDANCE: 50 OHMS
 OP. TEMP RANGE: -55C- +125C

MECHANICAL:

MATERIAL BODY: BRASS w TRI-METAL PLATING
 CENTER CONTACT: GOLD PLATED PER MIL-G-45204
 INTERFACE: MIL-STD-348A
 ROHS COMPLIANT



PROPERTY OF
nVISION INDUSTRIES, INC
COMPANY CONFIDENTIAL

DIMENSIONS IN INCHES 3 PLCS +/- .003 2 PLCS +/- .01 FRACTIONS +/- 1/64 ANGLES +/- 1/2 DEG UNLESS OTHERWISE SPECIFIED	DRAWN D. HEFT	DATE 1/25/10	WEINSCHEL ASSOCIATES 19212 ORBIT DRIVE GAITHERSBURG, MD 20879 WA1455/18-6 TERMINATION DC-18 GHZ, 2 W, TNC(m)			
	CHECKED					
	MAT'L: NA	MFG		SIZE A	FSCM NO. 0H3E9	DWG NO.
FINISH: NA	APPROVED		SCALE NONE	SHEET 1 OF 1		

