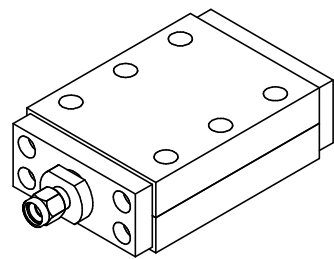
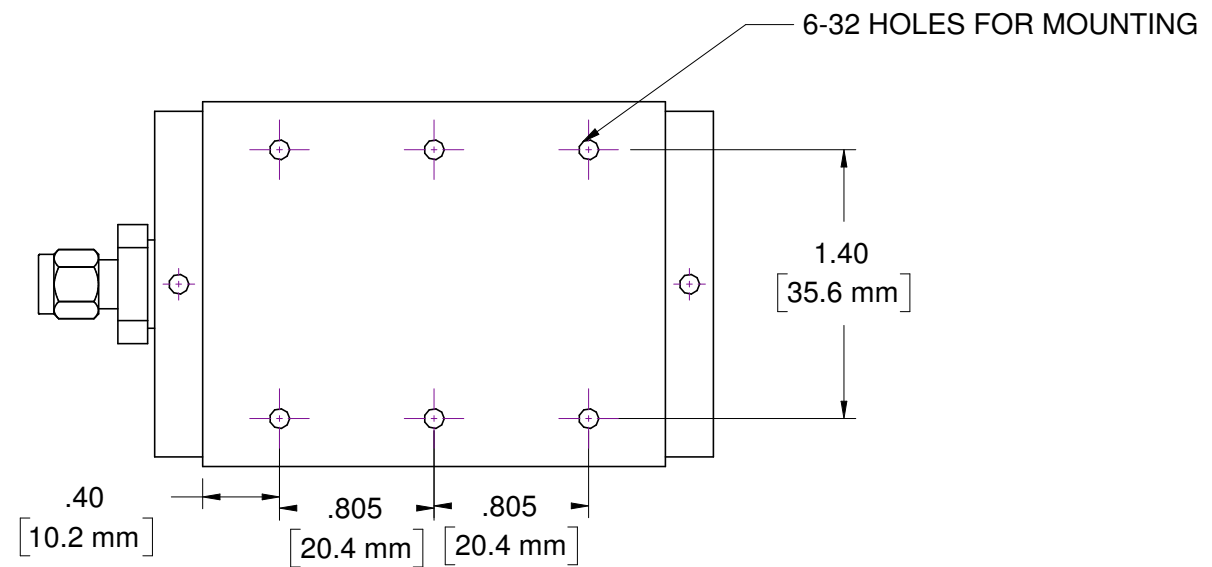
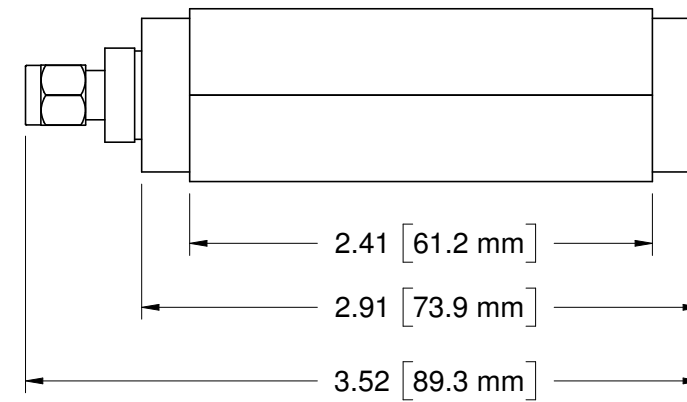
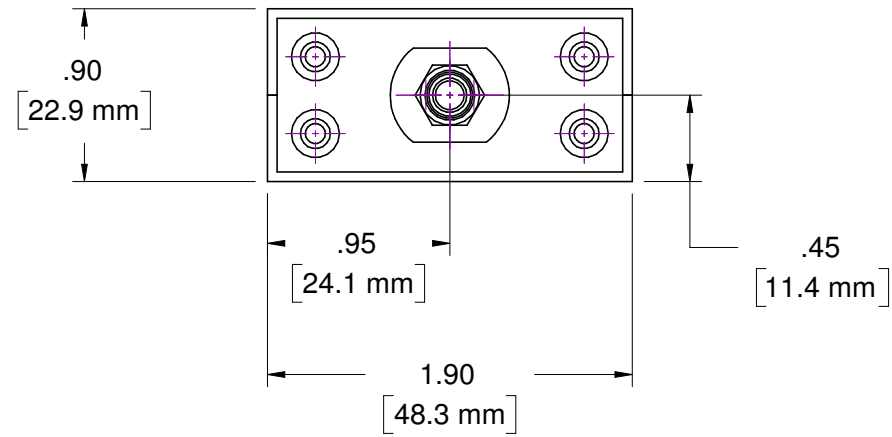


NOTES:
1.

REVISIONS				
ZONE	REV	DESCRIPTION	DATE	APPROVED



DIMENSIONS IN INCHES 3 PLCS +/- .003 2 PLCS +/- .01 FRACTIONS +/- 1/64 ANGLES +/- 1/2 DEG UNLESS OTHERWISE SPECIFIED	DRAWN D. HEFT	DATE 6/22/10	WEINSCHEL ASSOCIATES 19212 ORBIT DRIVE GAITHERSBURG, MD 20879 OUTLINE DRAWING WA1459-2 TERMINATION			
	CHECKED					
MAT'L: NA FINISH: NA	QA		SIZE B	FSCM NO. 0H3E9	DWG NO. B	REV
	APPROVED		SCALE 1:1	SHEET 1 OF 1		

PROPERTY OF nVISION INDUSTRIES, INC, COMPANY CONFIDENTIAL