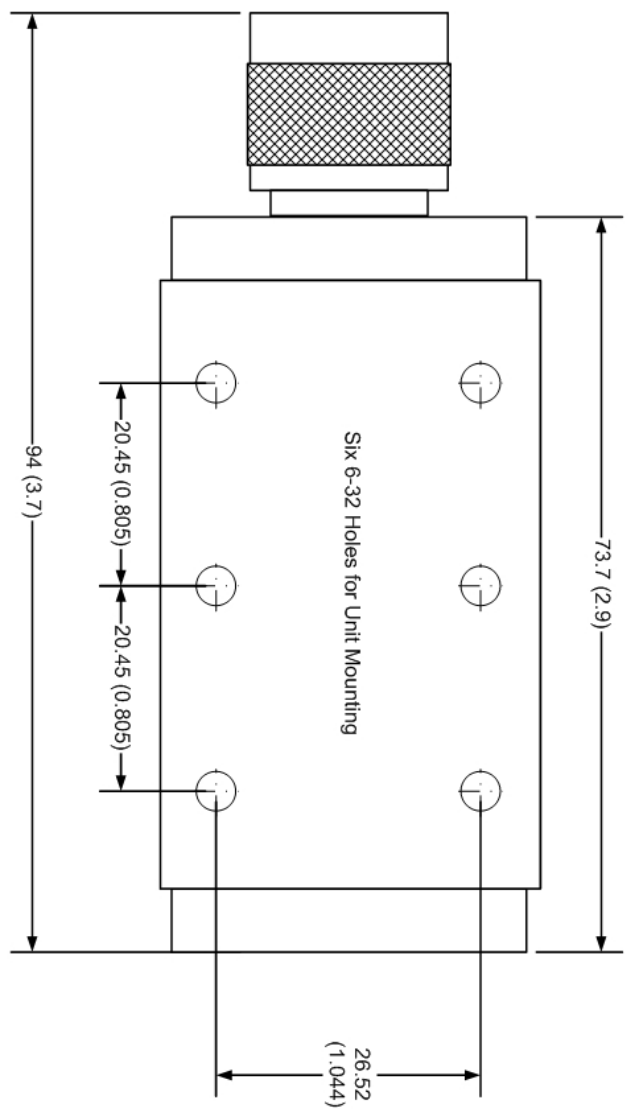
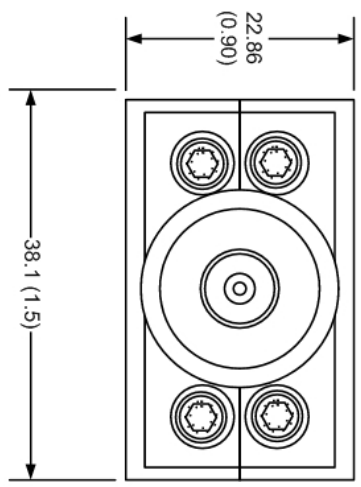


REV.	DESCRIPTION	DATE	BY



Property of nVision Industries, Inc. COMPANY CONFIDENTIAL		DIMENSIONS ARE IN INCHES TOLERANCES 3 Place Decimal Dims ± .003 2 Place Decimal Dims ± .01 Fractional Dims ± 1/64 Angles ± 1/2 deg Unless Otherwise Specified		WEINSCHTEL ASSOCIATES 19212 ORBIT DRIVE GAITHERSBURG, MD 20879	
USED ON	NEXT ASSY	DRAWN BY	SIZE	FSICAL NO	DWG NO
WV33		APPROVED	B	0H3E9	B
			SCALE	1 : 1	SHEET
					1 OF 1

8 7 6 5 4 3 2 1

A B C D E F G H