



REVISIONS

ZONE	REV	DESCRIPTION	DATE	APPROVED
------	-----	-------------	------	----------

# SPECIFICATIONS

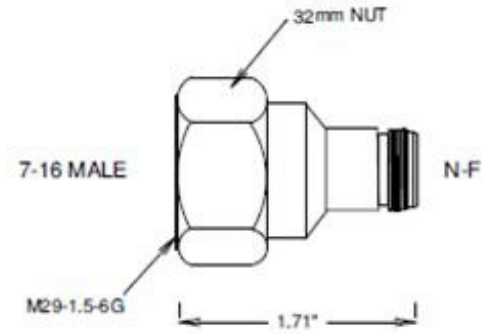
## ELECTRICAL

FREQUENCY: 0-8 GHZ  
 IMPEDANCE: 50 OHMS  
 VSWR: 1.12:1 MAX @ 3GHZ; 1.25 @ 8GHZ  
 VRMS: 2700 V SEA LEVEL  
 DIELECTRIC WITHSTANDING VOLTAGE: 4000 V RMS  
 INSULATION RESISTANCE: 10000 OHMS

## MECHANICAL

MATERIALS BODY NICKEL PLATED BRASS  
 MATERIALS CONTACTS Au PLATING  
 RECOMMENDED TORQUE 7-16 221 IN-LBS; N 8-14 IN-LBS  
 DURABILITY: 500 CYCLES MIN

ENVIRONMENTAL PER DIN 47223



DIMENSIONS IN INCHES 3 PLCS +/- .003 2 PLCS +/- .01 FRACTIONS +/- 1/64 ANGLES +/- 1/2 DEG UNLESS OTHERWISE SPECIFIED	DRAWN D. HEFT	DATE 11/28/08	<b>WEINSCHEL ASSOCIATES</b> 19212 ORBIT DRIVE GAITHERSBURG, MD 20879  <b>WA1516/8 7/16DIN(m) to N(f)          ADAPTER</b>			
	CHECKED					
		QA		SIZE <b>A</b>	FSCM NO. <b>0H3E9</b>	DWG NO. <b>A</b>
MAT'L: NA	MFG		SCALE NONE		SHEET 1 OF 1	
FINISH: NA	APPROVED					

PROPERTY OF  
**nVISION INDUSTRIES, INC**  
 COMPANY CONFIDENTIAL

