

Notes:

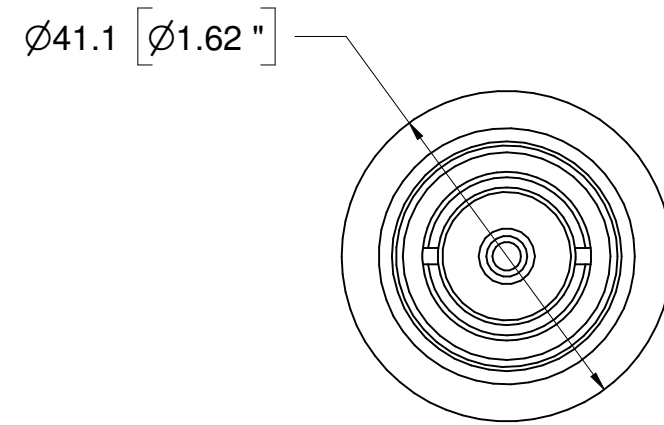
1. Material and Finish:

Housing: Black Powder Coated Aluminum Alloy
 Connectors: Passivated Stainless Steel Bodies, Silver-plated Contacts

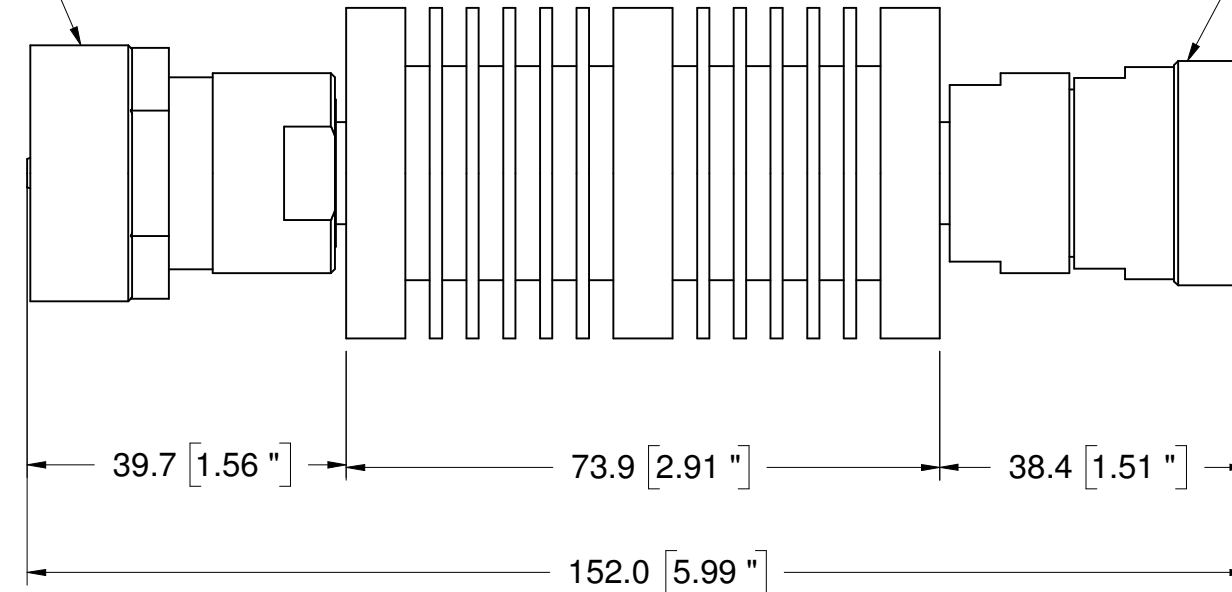
2. Electrical Specifications:

Frequency Band (GHz): DC - 4
 Attenuation (dB): 1 to 40 dB (bidirectional)
 45, 50 dB (unidirectional)
 VSWR: 1.2:1, maximum
 Impedance: 50 ohms, nominal
 Average Power at 25 C: 50 W

REVISIONS				
ZONE	REV	DESCRIPTION	DATE	APPROVED



7/16 DIN
MALE



APPLICATION		DIMENSIONS IN INCHES 3 PLCS +/- .003 2 PLCS +/- .01 FRACTIONS +/- 1/64 ANGLES +/- 1/2 DEG UNLESS OTHERWISE SPECIFIED	DRAWN	DATE	COMPANY
USED ON	NEXT ASSY		MAT'L: N/A	DMH	
		CHECKED			TITLE
		FINISH: N/A	QA		
			MFG		SIZE
			APPROVED		FSCM NO.
					0H3E9
					DWG NO.
					B
					REV
					-
					SCALE
					1:1
					SKETCH DWG NO:
					SHEET
					1 OF 1