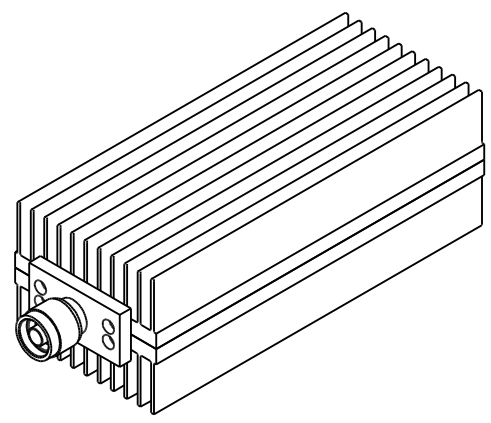
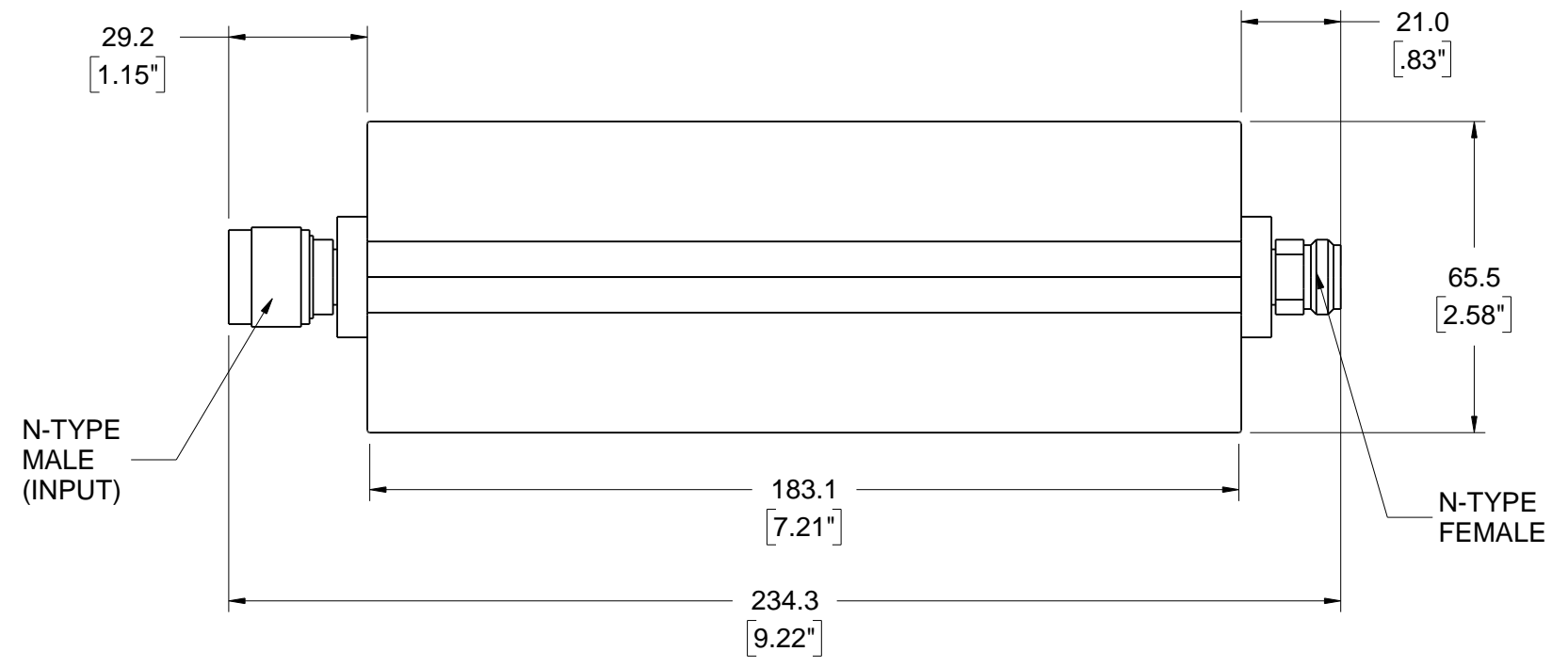
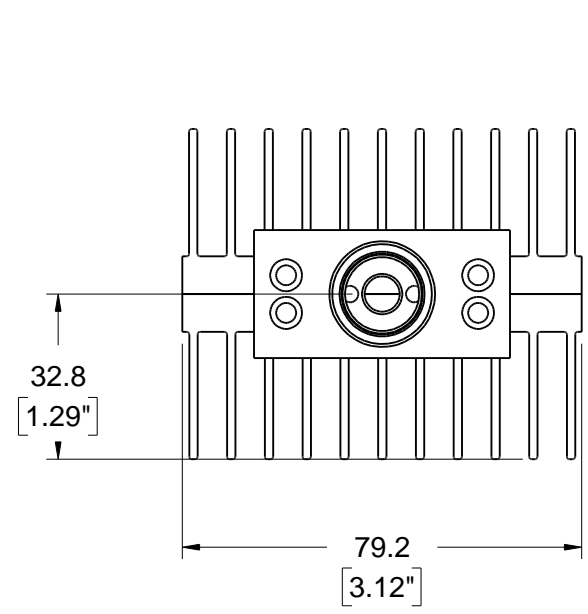


REVISIONS				
ZONE	REV	DESCRIPTION	DATE	APPROVED



PROPERTY OF nVISION INDUSTRIES, INC, COMPANY CONFIDENTIAL

DIMENSIONS IN INCHES 3 PLCS +/- .003 2 PLCS +/- .01 FRACTIONS +/- 1/64 ANGLES +/- 1/2 DEG UNLESS OTHERWISE SPECIFIED	DRAWN D. HEFT	DATE 04/04/14	WEINSCHEL ASSOCIATES 19212 ORBIT DRIVE GAITHERSBURG, MD 20879			
	CHECKED					
	QA		OUTLINE DRAWING WA36-xx-43 ATTENUATOR			
	MFG					
MAT'L: NA	APPROVED		SIZE B	FSCM NO. 0H3E9	DWG NO.	REV 1
FINISH: NA			SCALE NONE		SHEET 1 OF 1	