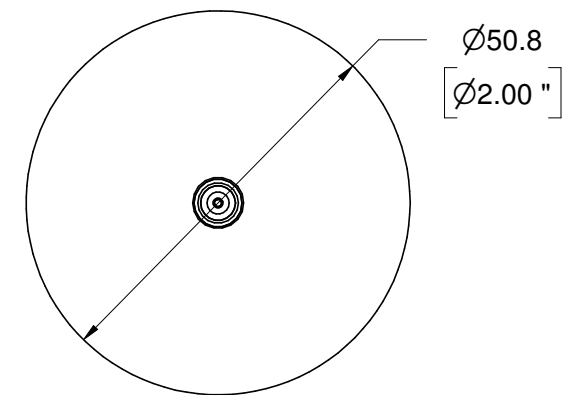
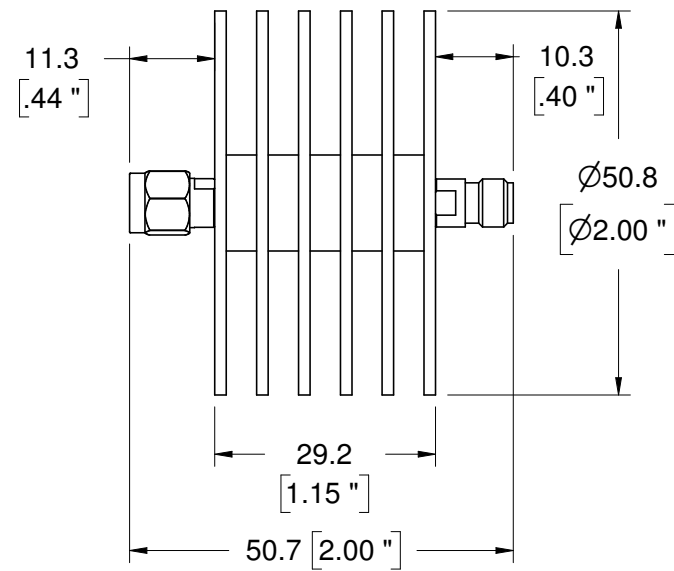
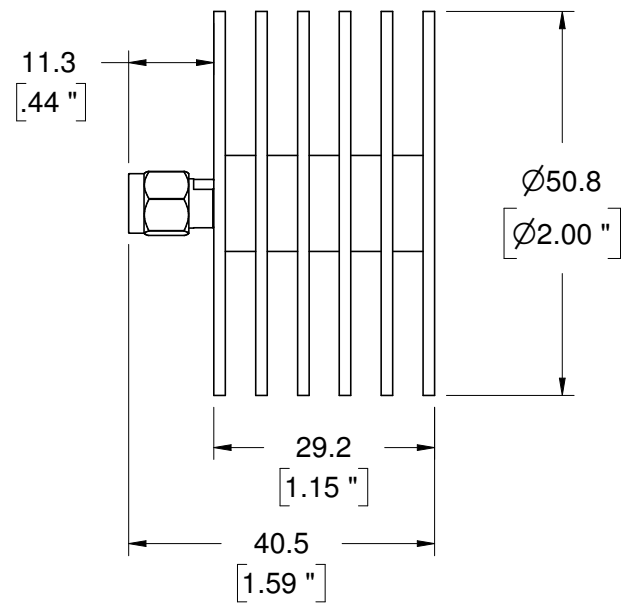


NOTES:
 1. REMOVE ALL BURRS AND/OR BREAK SHARP EDGES, .005 MAX, ON EXTERIOR OF PART

REVISIONS				
ZONE	REV	DESCRIPTION	DATE	APPROVED



DIMENSIONS IN INCHES 3 PLCS +/- .003 2 PLCS +/- .01 FRACTIONS +/- 1/64 ANGLES +/- 1/2 DEG UNLESS OTHERWISE SPECIFIED	DRAWN D. HEFT	DATE 5/16/08	WEINSCHEL ASSOCIATES 19212 ORBIT DRIVE GAITHERSBURG, MD 20879 OUTLINE DRAWING WA74 ATTENUATOR				
	CHECKED						
		QA		SIZE B	FSCM NO. 0H3E9	DWG NO. B260141	REV 1
	MAT'L: NA	MFG		SCALE		SHEET 1 OF 1	
FINISH: NA	APPROVED						

PROPERTY OF nVISION INDUSTRIES, INC, COMPANY CONFIDENTIAL