

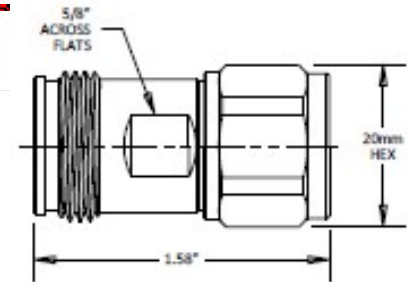
Precision Coaxial Adapter

WA1519

DC – 6.0 GHz



***WA1519-2104**



Features

2104: 4.3/10 Female to N type Male interface:
(IEC 61169-54 / MIL-STD-348B)

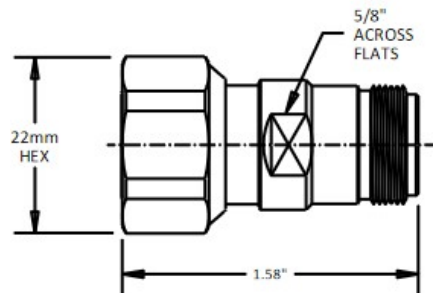
2203: 4.3/10 Male to N type Female interface:
(IEEE P287 / MIL-STD-348B)

2103: 4.3/10 Female to N type Female interface:
(IEC 61169-54 / MIL-STD-348B)

2204: 4.3/10 Male to N type Male interface:(MIL-STD-348B)

***All are ROHS compliant**

***WA1519-2203**



Specifications

Nominal Impedance: 50 ohms.

Frequency Range: DC - 6.0 GHz

Temperature Range: -45°C to +125°C

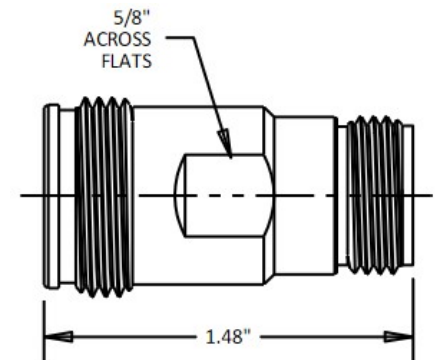
PIM: -165 dBc Max with 2 CW Tones @ 43 dBm

Construction: Albaloy plated brass body. Beryllium copper contacts with silver contact plating.

Maximum VSWR:

Frequency (GHz)	VSWR WA1519
DC - 6.0	1.1

***WA1519-2103**



***WA1519-2204**

