

# Precision Coaxial Adapter

# WA7009

DC – 18.0 GHz

2.92 mm to Type N



## Features

2.92 mm and Type N M/F connectors per MIL-STD-348A, interface dimensions mate non-destructively with MIL-PRF-39012 connectors. Designed to meet MIL-DTL-3933 environmental specification.

## Specifications

**Nominal Impedance:** 50 ohms.

**Frequency Range:** DC - 18.0 GHz

**Temperature Range:** -55°C to +100°C

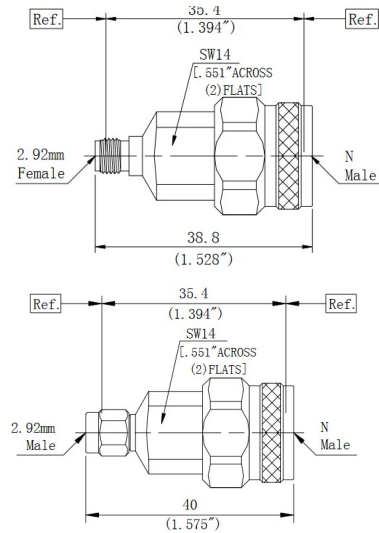
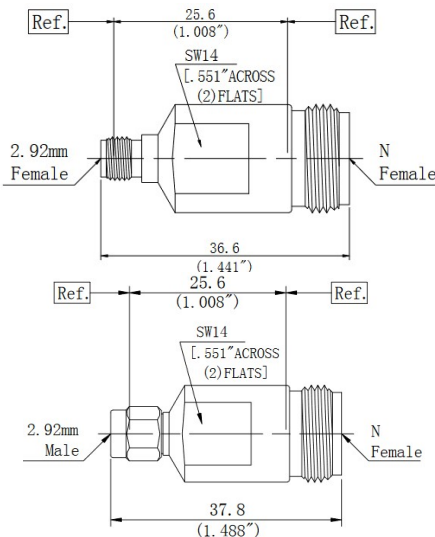
**Construction:** Stainless steel bodies and gold plated beryllium copper contacts. RoHS Compliant.

## Maximum VSWR:

Frequency (GHz)	VSWR
DC - 18.0	1.15

## Dimensions:

*Note: Dimensions are given in inches unless otherwise specified. Weight figure is nominal, with our standard connector configuration. Additional connector options may be available.*



# WEINSCHEL ASSOCIATES

TEL: 877.948.8342 / 301.963.4630 ♦ Fax: 301.963.8640

WEB: <http://www.WeinschelAssociates.com>

EMAIL: [sales@WeinschelAssociates.com](mailto:sales@WeinschelAssociates.com)

