

Precision Coaxial Adapter

WA7012

DC –18.0 GHz

2.4 mm to Type N



Features

2.4 mm and Type N M/F connectors per MIL-STD-348A, interface dimensions mate non-destructively with MIL-PRF-39012 connectors. Designed to meet MIL-DTL-3933 environmental specification.

Maximum VSWR:

Frequency (GHz)	VSWR
	WA7012
DC - 18.0	1.15

Specifications

Nominal Impedance: 50 ohms.

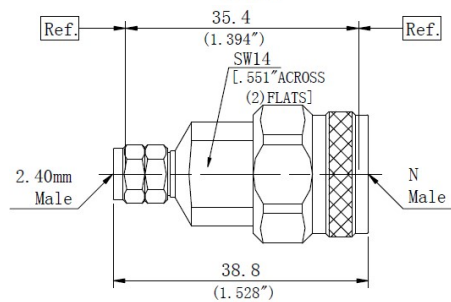
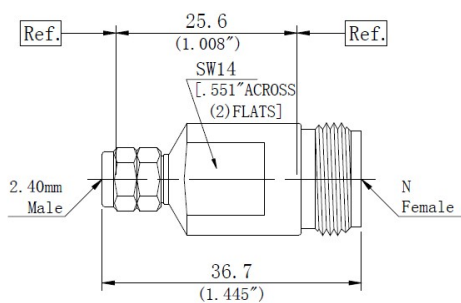
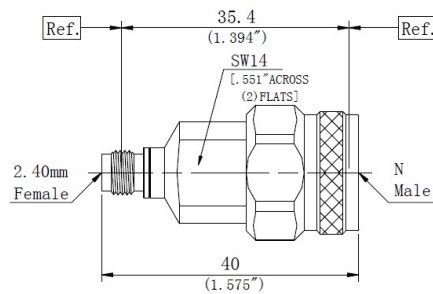
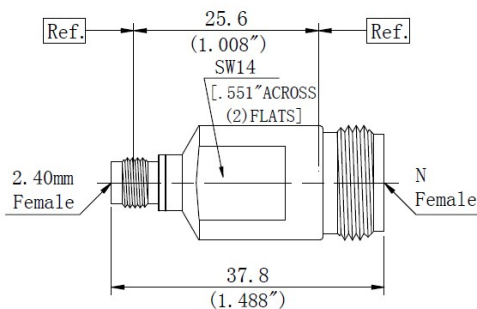
Frequency Range: DC - 18.0 GHz

Temperature Range: -55°C to +100°C

Construction: Stainless steel bodies and gold plated beryllium copper contacts. RoHS Compliant.

Dimensions:

Note: Dimensions are given in inches unless otherwise specified. Weight figure is nominal, with our standard connector configuration. Additional connector options may be available.



WEINSCHEL ASSOCIATES

TEL: 877.948.8342 / 301.963.4630 ♦ Fax: 301.963.8640

WEB: <http://www.WeinschelAssociates.com>

EMAIL: sales@WeinschelAssociates.com

