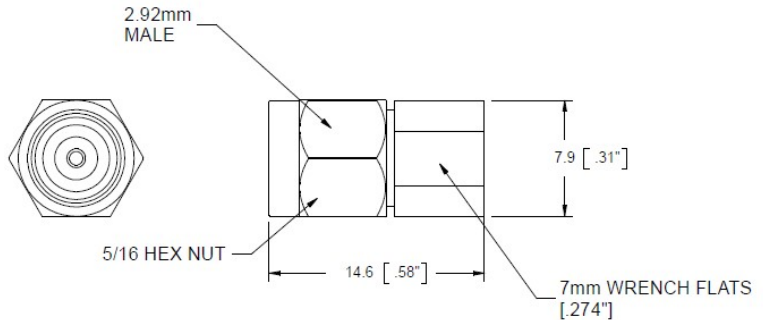


Termination

WA1402

DC – 40 GHz

1 WATT



Features

Precision 2.92 mm M stainless steel connector per MIL-STD-348A, interface dimensions mate nondestructively with MIL-PRF-39012. Designed to meet MIL-DTL-39030 environmental specification. High frequency design.

Specifications

Nominal Impedance: 50 ohms.

Frequency Range: DC to 40 GHz

Power Rating: 1 W maximum average rated power to 25°C ambient temperature, de-rated linearly to 0.1 W at 125°C. 500 W peak power (5 µsec pulse width, 0.10% duty cycle).

Temperature Range: -55°C to +125°C.

Construction: Passivated stainless steel body and connector. Gold plated beryllium copper contact. RoHS Compliant.

Calibration: VSWR performed across frequency range. Calibration test data available at additional cost.

Options: Chain
Female 2.92 mm

Maximum VSWR:

Frequency (GHz)	VSWR WA1402
DC - 40.0	1.2

Dimensions:

Length: 14.5 (.57)
Weight: 3.83 (.135)

Note: Dimensions are given in mm (in), or g (oz). Weight figure is nominal, with our standard connector configuration. Additional connector options may be available.