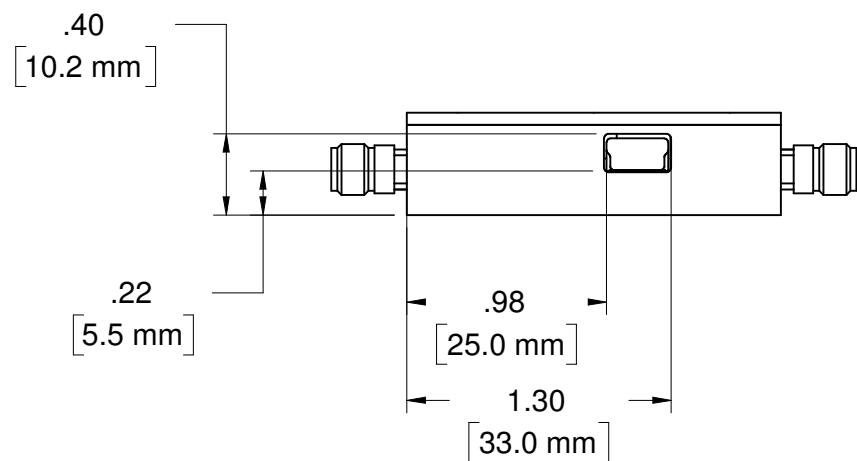
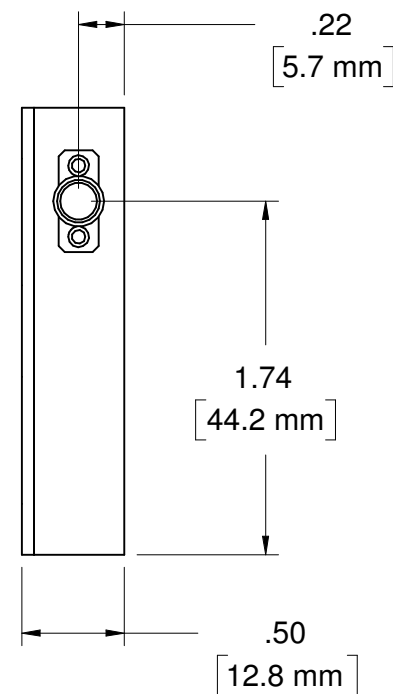
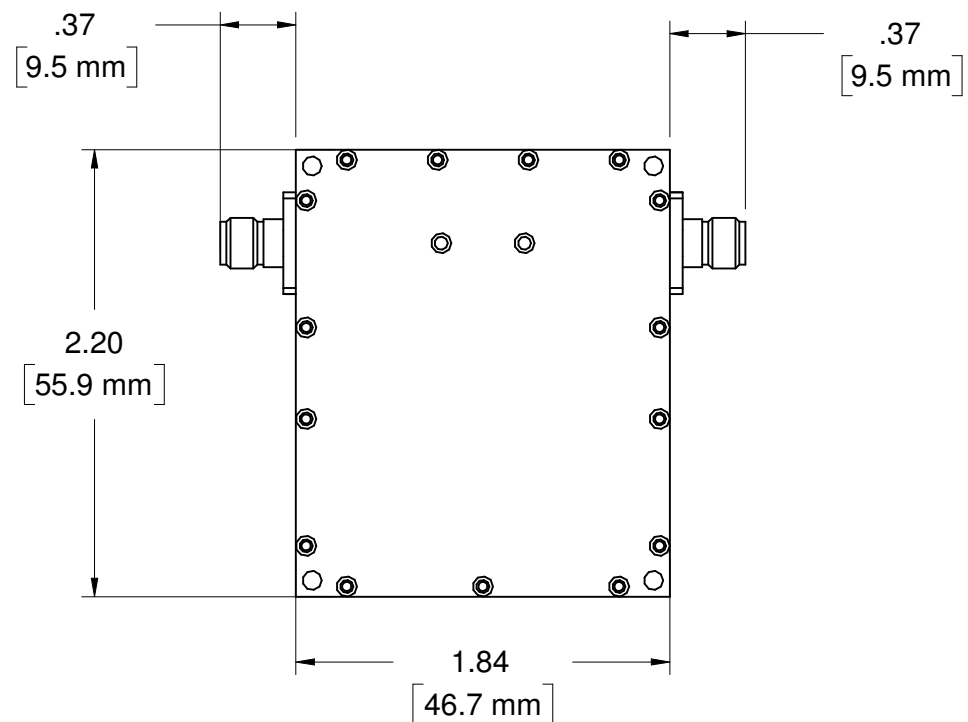


NOTES:  
 1. SCREWS TO ASSEMBLE CONNECTORS AND COVER TO HOUSING  
 ARE NOT SHOWN

REVISIONS				
ZONE	REV	DESCRIPTION	DATE	APPROVED



DIMENSIONS IN INCHES 3 PLCS +/- .003 2 PLCS +/- .01 FRACTIONS +/- 1/64 ANGLES +/- 1/2 DEG UNLESS OTHERWISE SPECIFIED	DRAWN D. HEFT	DATE 6/1/11	<b>WEINSCHEL ASSOCIATES</b> 19212 ORBIT DRIVE GAITHERSBURG, MD 20879			
	CHECKED					
	QA		<b>DA6-90 OUTLINE</b>			
	MFG					
MAT'L: NA	APPROVED		SIZE <b>B</b>	FSCM NO. 0H3E9	DWG NO.	REV 1
FINISH: NA			SCALE NONE		SHEET 1 OF 1	