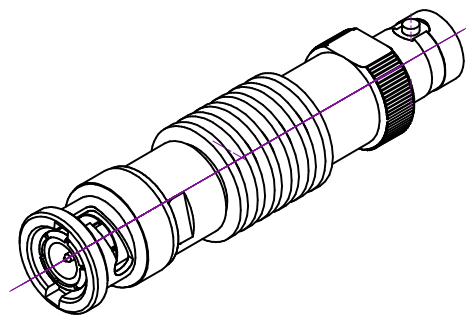
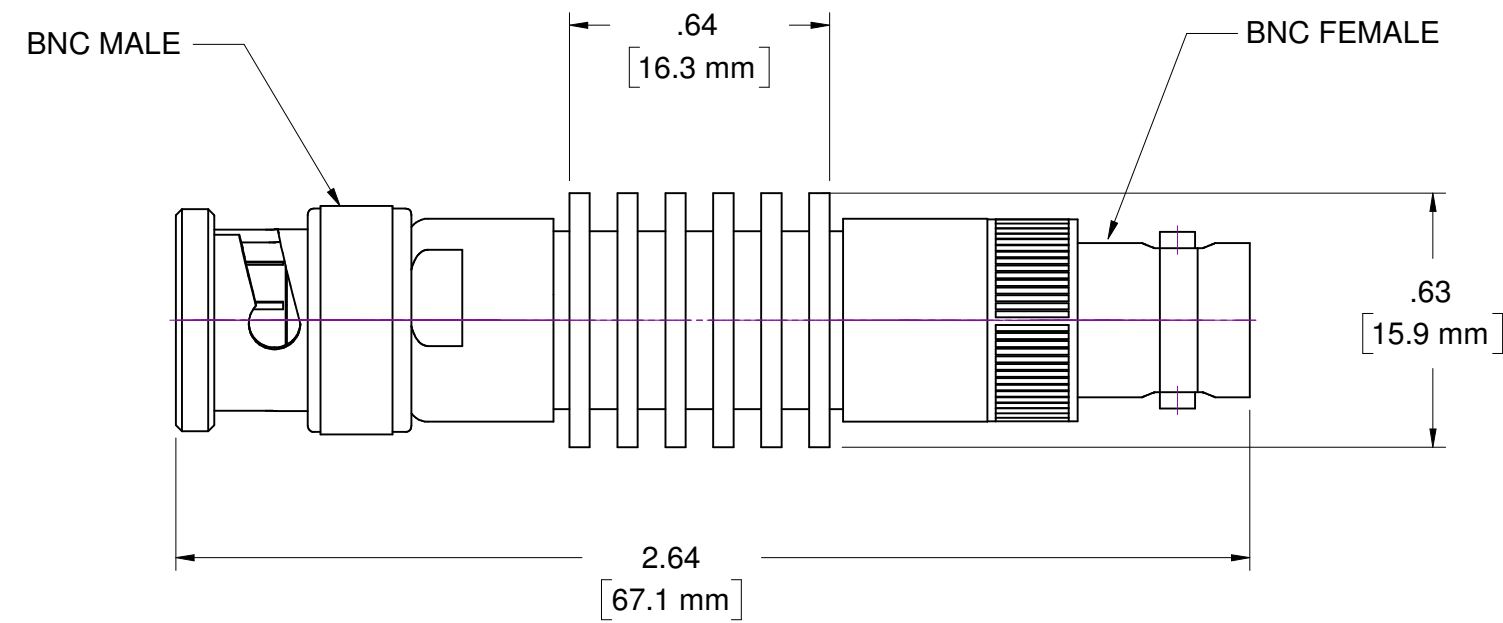
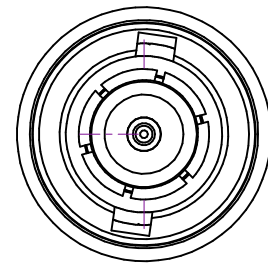


REVISIONS				
ZONE	REV	DESCRIPTION	DATE	APPROVED

SPECIFICATIONS

IMPEDANCE: 50 OHMS, NOMINAL
 FREQUENCY RANGE: DC 6 GHz (USEABLE TO 12 GHz)
 ATTENUATION VALUES: 1 ~ 60 dB
 POWER SENSITIVITY: <0.005 dB/dB/W
 POWER HANDLING: 10 W AVERAGE, 1 kW PEAK
 BIDIRECTIONAL, FULL POWER TO +25 C, DERATED TO 0 W AT +125 C
 TEMPERATURE RANGE: -55 C TO +125 C
 ATTENUATION ACCURACY ACROSS FREQUENCY:
 +/- 0.5 dB, ATTENUATION VALUES < 20 dB
 +/- 1.0 dB, OTHERWISE
 VSWR:
 DC - 4 GHz, 1.20:1 MAXIMUM
 4 GHz - 6 GHz, 1.30:1, MAXIMUM



DIMENSIONS IN INCHES 3 PLCS +/- .003 2 PLCS +/- .01 FRACTIONS +/- 1/64 ANGLES +/- 1/2 DEG UNLESS OTHERWISE SPECIFIED	DRAWN D. HEFT	DATE 10/13/10	WEINSCHEL ASSOCIATES 19212 ORBIT DRIVE GAITHERSBURG, MD 20879			
	CHECKED					
	MAT'L: NA	QA		OUTLINE DRAWING WA20, BNC, 10 W ATTENUATOR		
	FINISH: NA	MFG				
	APPROVED		SIZE B	FSCM NO. 0H3E9	DWG NO.	REV 1
			SCALE NONE		SHEET 1 OF 1	