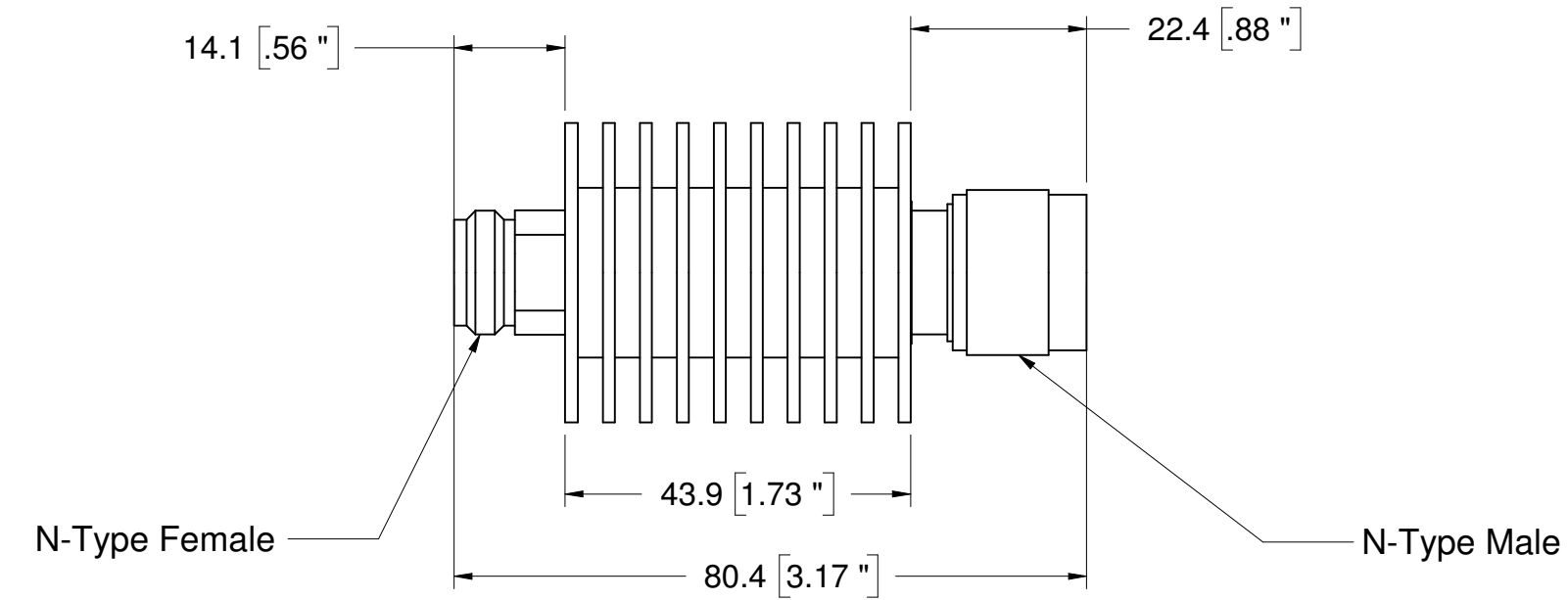
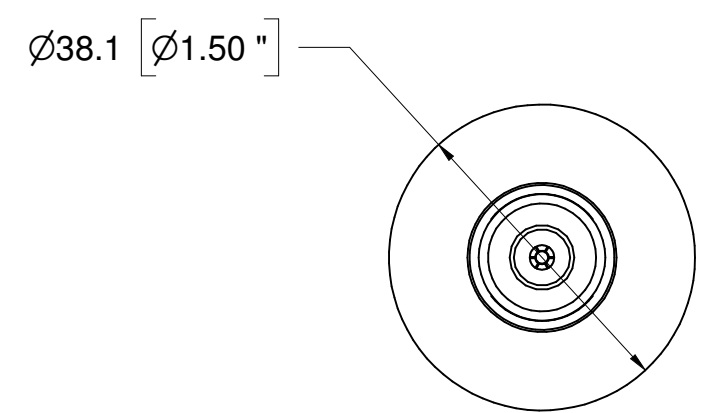


REVISIONS				
ZONE	REV	DESCRIPTION	DATE	APPROVED



APPLICATION		DIMENSIONS IN INCHES 3 PLCS +/- .003 2 PLCS +/- .01 FRACTIONS +/- 1/64 ANGLES +/- 1/2 DEG UNLESS OTHERWISE SPECIFIED	DRAWN DMH	DATE 05/14/13	COMPANY WEINSCHTEL ASSOCIATES 19212 ORBIT DRIVE GAITHERSBURG, MD 20879
USED ON	NEXT ASSY		CHECKED		
			QA		TITLE WA33-xx-34 OUTLINE DRAWING
		MAT'L: N/A	MFG		
		FINISH: N/A	APPROVED		SIZE B
					FSCM NO. 0H3E9
					DWG NO. B
					REV -
					SCALE 1:1
					SKETCH DWG NO:
					SHEET 1 OF 1

PROPERTY OF nVISION INDUSTRIES, INC, COMPANY CONFIDENTIAL