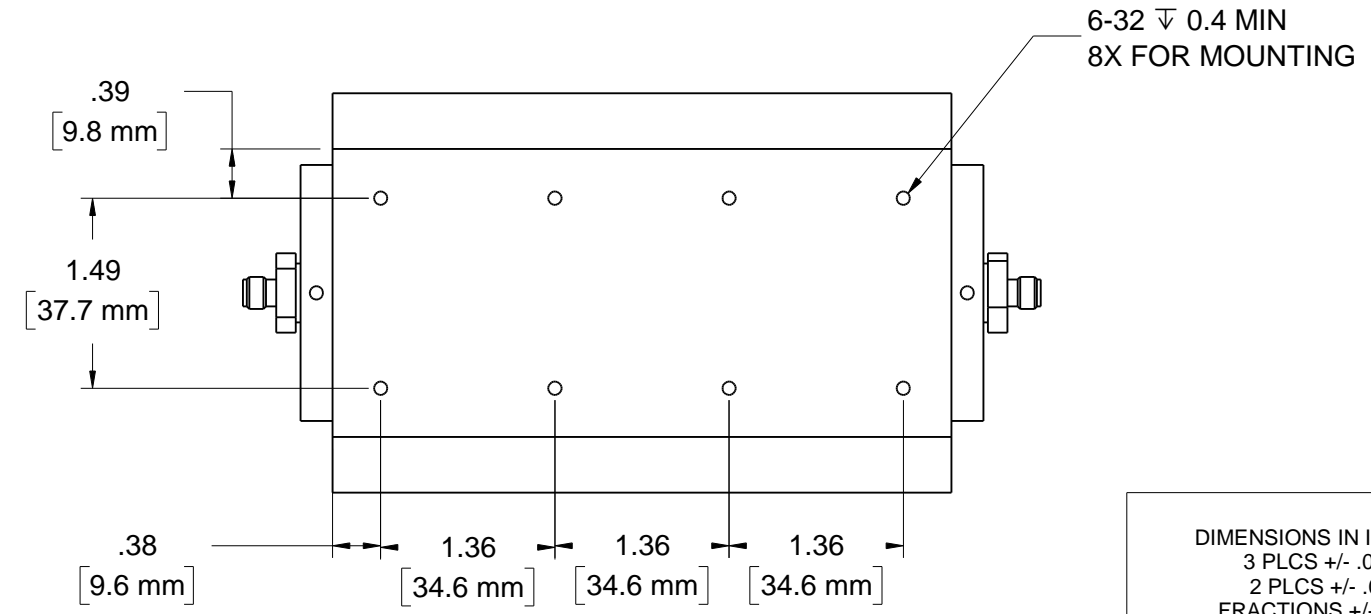
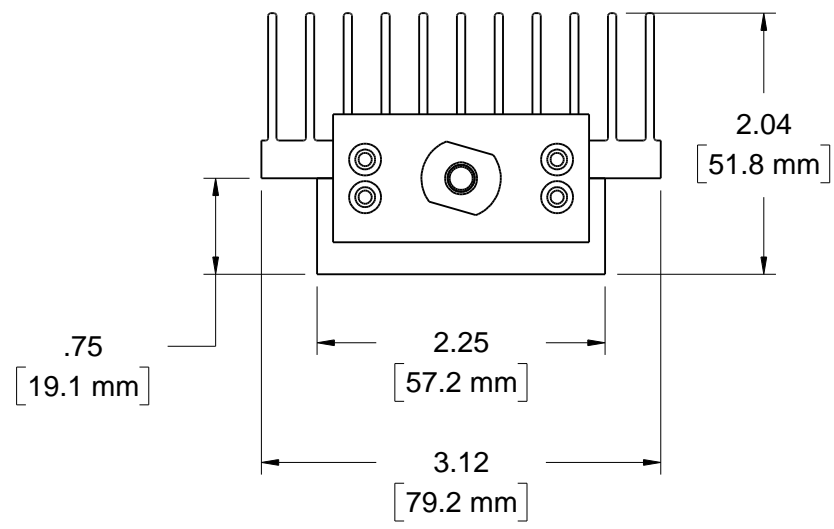
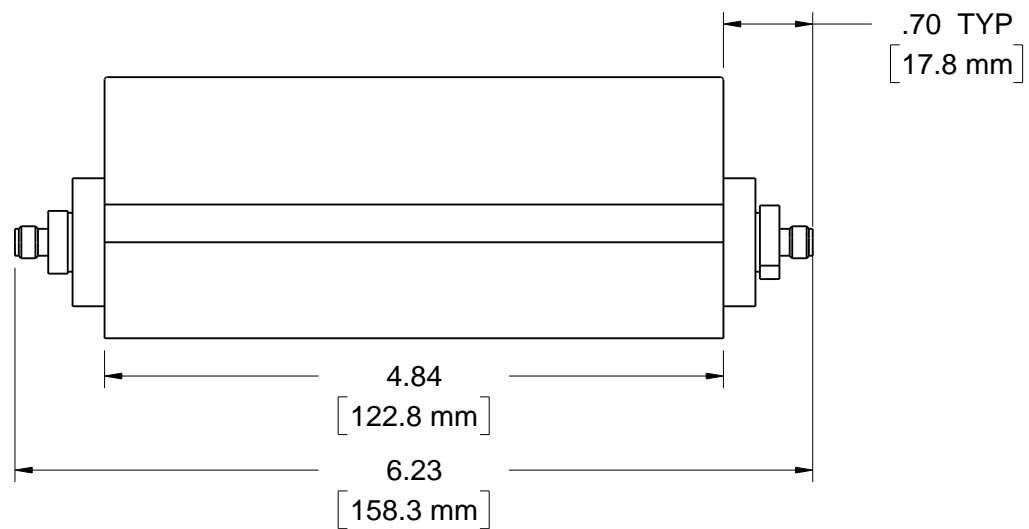




REVISIONS				
ZONE	REV	DESCRIPTION	DATE	APPROVED



DIMENSIONS IN INCHES 3 PLCS +/- .003 2 PLCS +/- .01 FRACTIONS +/- 1/64 ANGLES +/- 1/2 DEG UNLESS OTHERWISE SPECIFIED	DRAWN D. HEFT	DATE 11/12/13	WEINSCHL ASSOCIATES 19212 ORBIT DRIVE GAITHERSBURG, MD 20879 <h2>OUTLINE DRAWING</h2> <h3>WA49-xx-11 ATTENUATOR</h3>				
	CHECKED						
	MAT'L: NA	QA		SIZE B	FSCM NO. 0H3E9	DWG NO.	REV 1
	FINISH: NA	APPROVED		SCALE NONE	SHEET 1 OF 1		

PROPERTY OF nVISION INDUSTRIES, INC, COMPANY CONFIDENTIAL

