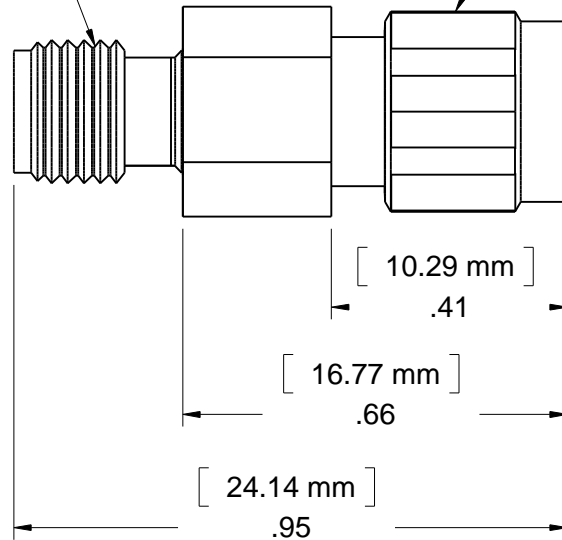


REVISIONS			
REV	DESCRIPTION	DATE	APPROVED

2.92 MM FEMALE CONNECTOR(-13)

2.92 MM MALE CONNECTOR(-14)



**SPECIFICATIONS**

NOMINAL IMPEDANCE: 50 OHMS

FREQUENCY RANGE: 9 KHZ TO 40 GHZ

INSERTION LOSS: 1.0 dB MAX.

VOLTAGE: 50 VOLTS DC MAX.

TEMPERATURE RANGE: -65° C TO +105° C

CONSTRUCTION: STAINLESS STEEL BODY AND CONNECTORS; GOLD PLATED BERYLLIUM COPPER CONTACTS.

CONNECTOR: 2.92MM FEMALE AND MALE CONNECTORS PER MIL-STD-348A INTERFACE DIMENSIONS MATE NONDESTRUCTIVELY WITH MIL-PRF-39012 CONNECTORS.

WEIGHT: X.XXg / XX.Xoz.(TBD)

NOTES: DIMENSIONS ARE GIVEN IN [MM] INCHES AND ARE NOMINAL, UNLESS OTHERWISE SPECIFIED

FREQUENCY (GHZ)	VSWR (MAX.)
9 - 10 KHZ	1.45
10 KHZ - 26.5	1.40
26.5 - 40.0	1.70

APPLICATION		DIMENSIONS IN INCHES 3 PLCS +/- .003 2 PLCS +/- .01 FRACTIONS +/- 1/64 ANGLES +/- 1/2 DEG UNLESS OTHERWISE SPECIFIED	DRAWN	DATE	COMPANY	WEINSCHL ASSOCIATES	
USED ON	NEXT ASSY		MAT'L: NONE	LMT		7/22/15	19212 ORBIT DRIVE
WA6058H		FINISH: NONE	CHECKED		GAITHERSBURG, MD 20879		
			QA		TITLE		
			MFG		OUTLINE DRAWING		
			APPROVED		SIZE	FSCM NO.	DWG NO.
			DMH	7/22/15	A	0H3E9	200674
					SCALE	SKETCH DWG NO.	SHEET
					3:1		1 OF 1
							REV
							1

PROPERTY OF  
nVISION INDUSTRIES, INC  
COMPANY CONFIDENTIAL