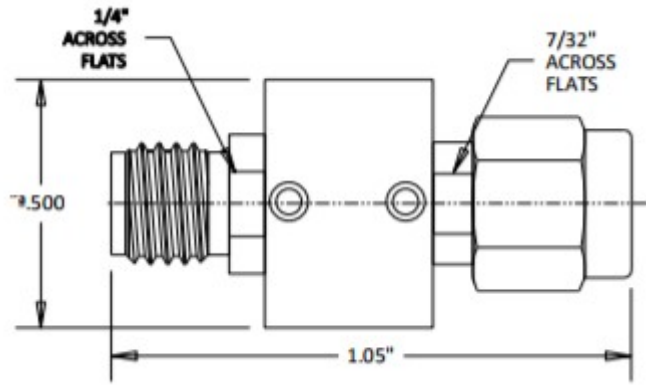




REVISIONS				
ZONE	REV	DESCRIPTION	DATE	APPROVED

<b>Electrical</b>	
Frequency	.01 GHZ – 18 GHZ
VSWR	1.35 Max
Impedance	50 Ohms
Voltage	200 Volts DC Max
Insertion Loss	0.5 dB Max
<b>Mechanical</b>	
2.92 Interface per	MIL-STD-348B
Operating Temperature	-55°C to +105°C
<b>Materials</b>	
Body	Passivated Stainless Steel
Contacts	BeCu
Contact Plating	Au Per MIL-G-45204
ROHS Compliant	



PRODUCT NUMBER VARIATIONS:  
 WA8039 SMA FEMALE/MALE CONNECTORS  
 WA8039-11 SMA FEMALE/FEMALE CONNECTORS  
 WA8039-12 SMA FEMALE/MALE CONNECTORS  
 WA8039-22 SMA MALE/MALE CONNECTORS

DIMENSIONS IN INCHES 3 PLCS +/- .003 2 PLCS +/- .01 FRACTIONS +/- 1/64 ANGLES +/- 1/2 DEG UNLESS OTHERWISE SPECIFIED	DRAWN D. HEFT	DATE 01/11/18	<b>WEINSCHEL ASSOCIATES</b> 2505 BACK ACRE CIRCLE MOUNT AIRY, MD 21771  <b>WA8039 DC BLOCK, INNER/OUTER, 18 GHz          SMA CONNECTORS</b>			
	CHECKED					
		QA		SIZE <b>A</b>	FSCM NO. 0H3E9	DWG NO.
MAT'L: NA	MFG		SCALE NONE	SHEET 1 OF 1		
FINISH: NA	APPROVED					

PROPERTY OF  
 nVISION INDUSTRIES, INC  
 COMPANY CONFIDENTIAL

