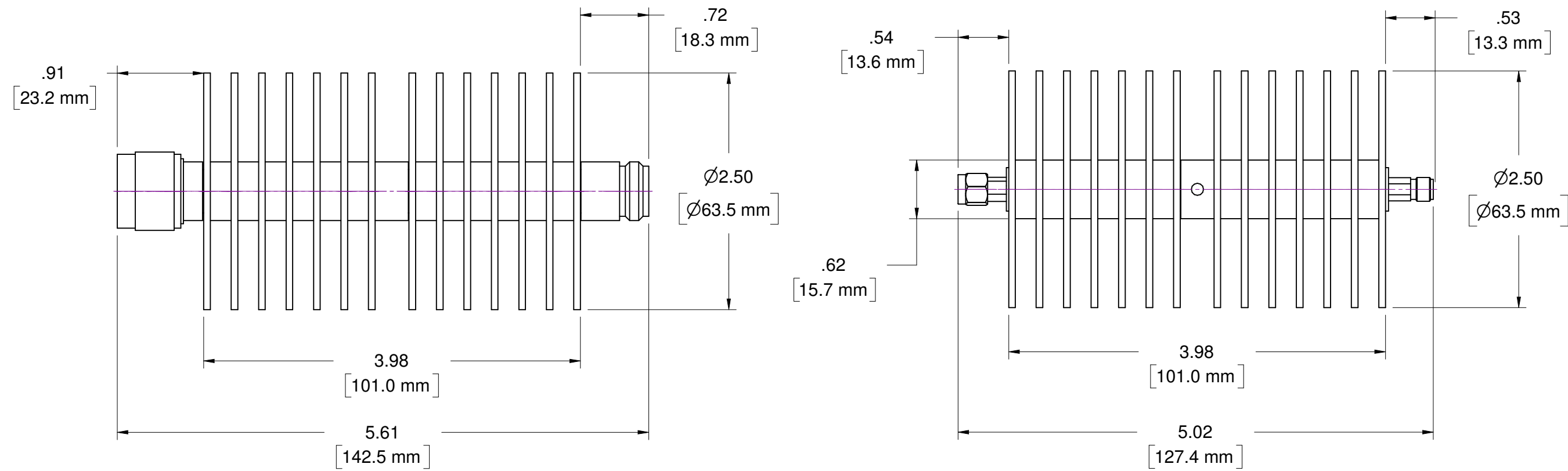


NOTES:
1.

REVISIONS				
ZONE	REV	DESCRIPTION	DATE	APPROVED



DIMENSIONS IN INCHES 3 PLCS +/- .003 2 PLCS +/- .01 FRACTIONS +/- 1/64 ANGLES +/- 1/2 DEG UNLESS OTHERWISE SPECIFIED	DRAWN	DATE	WEINSCHEL ASSOCIATES 19212 ORBIT DRIVE GAITHERSBURG, MD 20879 OUTLINE DRAWING WA91 ATTENUATOR			
	D. HEFT	9/8/08				
	CHECKED		SIZE	FSCM NO.	DWG NO.	REV
	QA		B	0H3E9	B	
MAT'L: NA	MFG		SCALE	1:1.25	SHEET	1 OF 1
FINISH: NA	APPROVED					

PROPERTY OF nVISION INDUSTRIES, INC, COMPANY CONFIDENTIAL