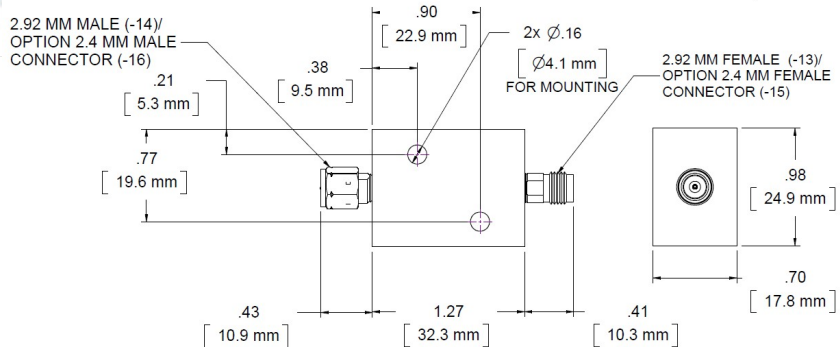
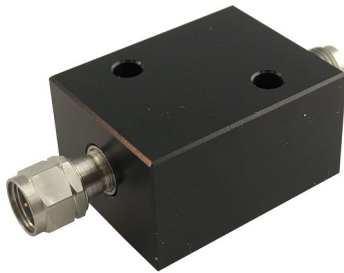


Fixed Coaxial Attenuator

WA76B

DC – 40 GHz

10 WATTS



Features

Precision 2.92 mm stainless steel M/F connectors per IEEE P287, interface dimensions mate nondestructively with MIL-PRF-39012. Designed to meet MIL-DTL-3933 environmental specification. Compact construction meets a wide range of design requirements. Mountable design for convection cooling.

Specifications

Nominal Impedance: 50 ohms.

Frequency Range: DC to 40.0 GHz.

Nominal dB Values: 3 - 30 dB

Power Coefficient: < 0.005 dB/dB/W;
Unidirectional in power.

Power Rating: 10 W maximum average rated power with case held to a maximum of +90°C. 200 W peak power (5 µsec pulse width, 2.5% duty cycle).

Temperature Range: -55°C to +90°C.

Temperature Coefficient: <0.0004 dB/dB/°C.

Construction: Black aluminum alloy body with passivated stainless steel connectors. Gold plated beryllium copper contacts. RoHS Compliant.

Calibration: Insertion Loss and VSWR performed across frequency range. Calibration test data available at additional cost.

Standard Nominal Values and Deviations:

Attenuation (dB)	Accuracy ± dB	
	DC to 18 GHz	18 to 40 GHz
3 - 30	1.0	1.75

Maximum VSWR:

Frequency (GHz)	VSWR
	WA76B
DC - 18	1.25
18 - 40	1.4

Dimensions:

Weight: 45.9 (1.62)
Height: 24.9 (0.98)
Width: 17.8 (.70)
Length: 53.6 (2.11)
Mounting: 2x 4.1 (0.16) thru holes.

Note: Dimensions are given in mm (in), or kg (oz). Weight figure is nominal, with our standard connector configuration. Additional connector options may be available.