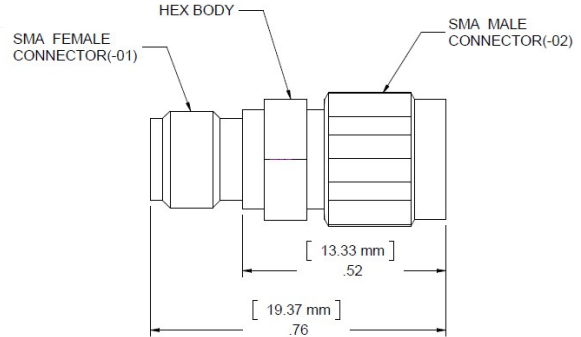
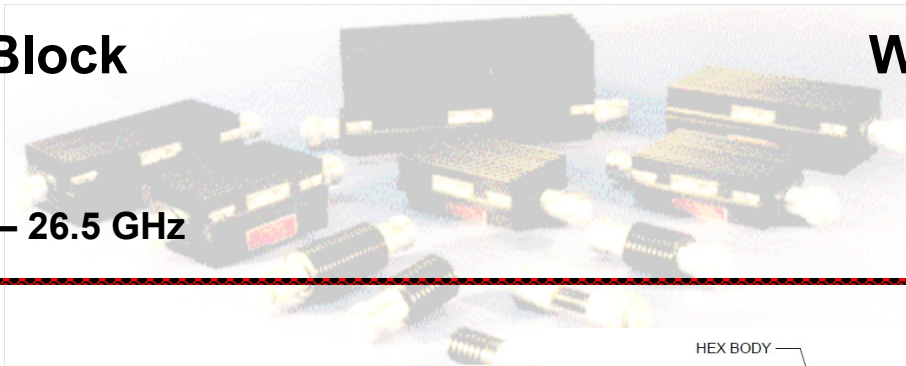


# DC Block

# WA6056H

9 kHz – 26.5 GHz

50 VOLTS



## Features

SMA stainless steel M/F connectors per MIL-STD-348A, interface dimensions mate nondestructively with MIL-PRF-39012. Designed to meet MIL-DTL-3933 environmental specification.

5/16 hex provides secure torquing surface for mating in hard to get places. Low cut-in frequency.

Inner DC block combined with high frequency response.

## Specifications

**Nominal Impedance:** 50 ohms.

**Frequency Range:** 9 kHz - 26.5 GHz

**Voltage:** 50 volts

**Power Rating:** 20 W maximum average rated power to 25°C ambient temperature. 100 W peak power.

**Temperature Range:** -45°C to + 105°C

**Construction:** Passivated stainless steel body and connectors. Gold plated beryllium copper contacts. RoHS Compliant .

## Maximum VSWR:

Frequency	VSWR
	WA6056H
9 kHz - 10 kHz	1.45
10 kHz - 20 kHz	1.35
20 kHz - 18.0 GHz	1.35
18.0 GHz - 26.5 GHz	1.70

## Maximum Insertion Loss:

Frequency	Insertion Loss (dB)
	WA6056H
9 kHz - 26.5 GHz	0.8

## Dimensions:

Length: 19.37 (0.76)  
Weight: 4 (0.14)

*Note: Dimensions are given in mm (in), or g (oz). Weight figure is nominal, with our standard connector configuration. Additional connector options may be available.*