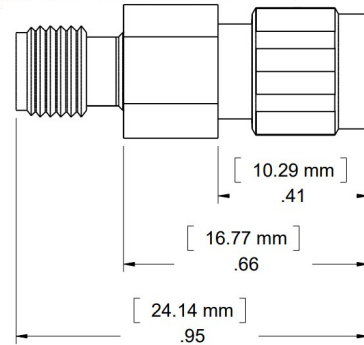
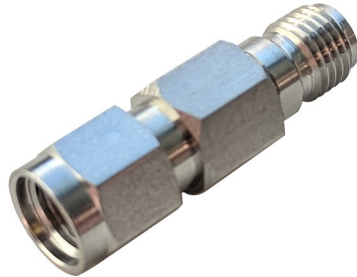


DC Block

WA6057H

9 kHz – 30.0 GHz

50 VOLTS



Features

3.5 mm stainless steel M/F connectors per MIL-STD-348A, interface dimensions mate nondestructively with MIL-PRF-39012. Designed to meet MIL-DTL-3933 environmental specification.

5/16 hex provides secure torquing surface for mating in hard to get places.

Inner DC block combined with high frequency response.

Specifications

Nominal Impedance: 50 ohms.

Frequency Range: 9 kHz - 30.0 GHz

Voltage: 50 volts

Power Rating: 20 W maximum average rated power to 25°C ambient temperature. 100 W peak power.

Temperature Range: -65°C to + 105°C

Construction: Passivated stainless steel body and connectors. Gold plated beryllium copper contacts. RoHS Compliant.

Maximum VSWR:

Frequency	VSWR
	WA6057H
9 kHz - 10 kHz	1.45
10 kHz - 20 kHz	1.35
20 kHz - 18.0 GHz	1.35
18.0 GHz - 30.0 GHz	1.70

Maximum Insertion Loss:

Frequency	Insertion Loss (dB)
	WA6057H
9 kHz - 30.0 GHz	1.0

Dimensions:

Length: 24.2 (0.95)
Weight: 0.004 (0.14)

Note: Dimensions are given in mm (in), or g (oz). Weight figure is nominal, with our standard connector configuration. Additional connector options may be available.