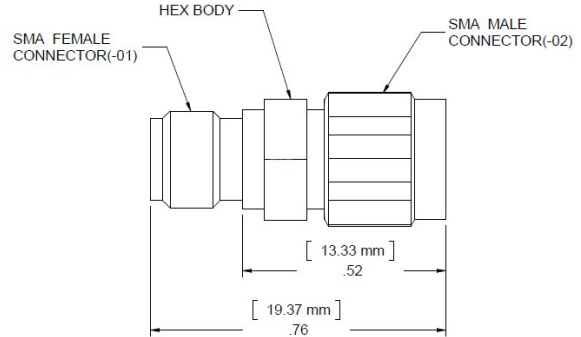


DC Block

WA7055H

WA7055H/6: 10 MHz – 6.0 GHz
 WA7055H/12: 10 MHz – 12.4 GHz
 WA7055H: 10 MHz – 18.0 GHz

100 VOLTS



Features

SMA stainless steel M/F connectors per MIL-STD-348A, interface dimensions mate nondestructively with MIL-PRF-39012. Designed to meet MIL-DTL-3933 environmental specification.

Inner Only– 6.0/12.4/18.0 GHz SMA DC Block.

5/16 hex provides secure torquing surface.

Specifications

Nominal Impedance: 50 ohms.

Frequency Range: WA7055H: 10 MHz - 18.0 GHz.
 WA7055H/6: 10 MHz - 6.0 GHz.
 WA7055H/12: 10 MHz - 12.4 GHz.

Voltage: 100 volts

Power Rating: 2 W maximum average rated power to 25°C ambient temperature.

Temperature Range: -65°C to +125°C.

Construction: Passivated stainless steel body and connectors. Gold plated beryllium copper contacts. RoHS Compliant.

Maximum VSWR:

Frequency (GHz)	VSWR		
	WA7055H	WA7055H/6	WA7055H/12
0.01 - 1.0	1.20	1.20	1.20
1.0 - 4.0	1.30	1.30	1.30
4.0 - 8.0	1.40	1.40	1.40
8.0- 18.0	1.50	N/A	1.50

Maximum Insertion Loss:

Frequency (GHz)	Insertion Loss (dB)		
	WA7055H	WA7055H/6	WA7055H/12
0.01 - 1.0	0.25	0.25	0.25
1.0 - 4.0	0.50	0.50	0.50
4.0 - 8.0	0.80	0.80	0.80
8.0- 18.0	0.80	N/A	0.80

Dimensions:

Length: 19.37 (0.76)
 Weight: 4 (0.14)

Note: Dimensions are given in mm (in), or g (oz). Weight figure is nominal, with our standard connector configuration. Additional connector options may be available.