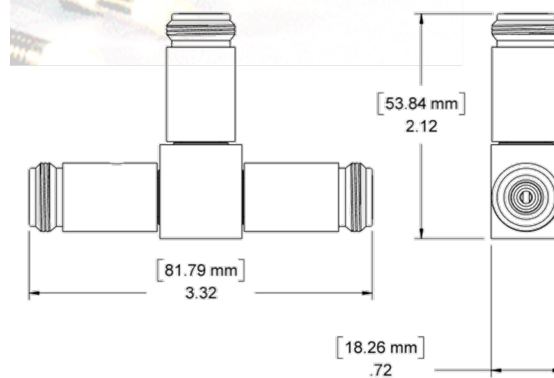


Broadband Resistive Power Splitter

PS018

DC - 18.0 GHz

1 WATT



Features

Type N stainless steel F connectors per MIL-STD-348A, mates nondestructively with MIL-PRF-39012. Designed to meet MIL-DTL-3933 environmental specification. Unit may be mounted in any position.

Excellent amplitude tracking.
Low Equivalent SWR.

Specifications

Nominal Impedance: 50 ohms.

Frequency Range: DC - 18.0 GHz

Power Sensitivity: < 0.005 dB/dB/W;
Unidirectional.

Power Rating: 1 W average to 25°C ambient temperature. 1 kW peak (5 µsec pulse width, 0.05% duty cycle), Input connector only. 1 W maximum input power.

Temperature Range: -55°C to +125°C.

Temperature Coefficient: < 0.0004 dB/dB/°C.

Construction: Nickel plated brass body; stainless steel connectors. Gold plated beryllium copper contacts. RoHS Compliant

Phase Tracking: ±2° nominal between output ports.

Insertion Loss: 6 dB (nominal), 7.5 dB (maximum).

Maximum Balance of Power Division:

DC - 8.0	0.15 dB
8.0 - 18.0	0.20 dB
Typical	0.1 dB

VSWR (both output port terminated in 50 ohms):

Frequency (GHz)	VSWR
DC - 18.0	1.3

Equivalent Output Wave SWR:

Frequency (GHz)	VSWR
DC - 2.0	1.05
2.0 - 4.0	1.07
4.0 - 8.0	1.1
8.0 - 18.0	1.25

Dimensions:

Weight:	0.17 (6.0)
Length:	68.60 (2.7)
Width:	17.30 (0.68)
Height:	47.00 (1.85)

Note: Dimensions are given in mm (in), or g (oz). Weight figure is nominal, with our standard connector configuration. Additional connector options may be available.