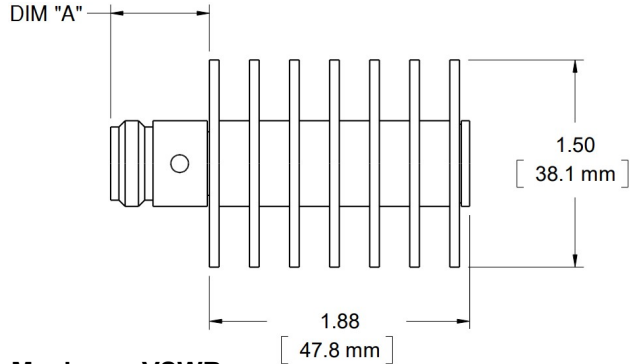


DC – 10.0 GHz

25 WATTS



Maximum VSWR:

Frequency (GHz)	VSWR	VSWR
	WA1427	WA1427-5 or -6
DC - 4.0	1.1	1.15
4.0 - 8.0	1.15	1.25
8.0 - 10.0	1.25	1.3

Features

Type N, TNC, or SMA stainless steel M/F connector per MIL-STD-348A, interface dimensions mate nondestructively with MIL-PRF-39012. Designed to meet MIL-DTL-3933 environmental specification. Unit may be mounted in any position.

Specifications

Nominal Impedance: 50 ohms.

Frequency Range: DC - 10.0 GHz.

Power Rating: 25 W maximum average rated power to 25°C ambient temperature, de-rated linearly to 2.5 W at 125°C. 1 kW peak power (5 µsec pulse width, 1.25% duty cycle).

Temperature Range: -55°C to +125°C.

Construction: Black aluminum alloy body with passivated stainless steel connector. Gold plated beryllium copper or stainless steel contacts. RoHS Compliant.

Calibration: VSWR performed across frequency range. Calibration test data available at additional cost.

Dimensions:
Weight: .28 (9.88)
Diameter: 38.1 (1.5)

Connector Type (- code)	Length
	Dimension 'A'
SMA F -01	9.8 (.39)
SMA M -02	10.9 (.43)
N-Type F -03	14.9 (.59)
N-Type M -04	22.7 (.89)
TNC F -05	14.4 (.57)
TNC M -06	17.7 (.70)

Note: Dimensions are given in mm (in), or kg (oz). Weight figure is nominal, with our standard connector configuration. Additional connector options may be available.

Low Intermodulation Option: Add -LIM after connector option to specify low intermodulation attribute.