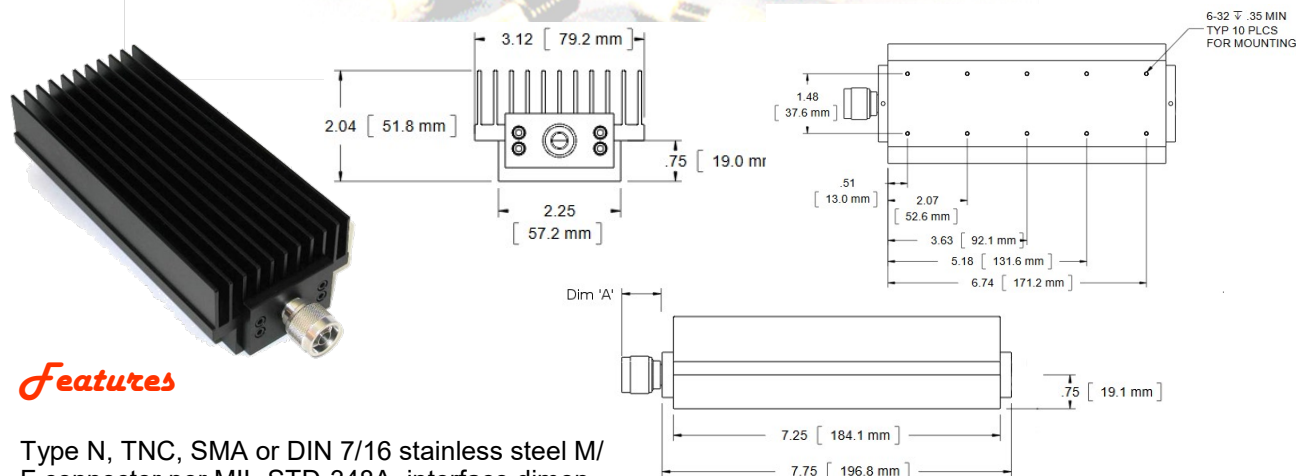


# Termination

# WA1435

## DC - 8.5 GHz

## 250 WATTS



### Features

Type N, TNC, SMA or DIN 7/16 stainless steel M/F connector per MIL-STD-348A, interface dimensions mate nondestructively with MIL-PRF-39012. Designed to meet MIL-DTL-3933 environmental specification. Unit may be mounted in any position.

### Specifications

**Nominal Impedance:** 50 ohms.

**Frequency Range:** DC - 8.5 GHz.

**Power Rating:** 250 W maximum average rated power to 25°C ambient temperature, de-rated linearly to 15 W at 125°C. 5 kW peak power (5 µsec pulse width, 2.5% duty cycle).

**Temperature Range:** -55°C to +125°C.

**Construction:** Black aluminum alloy body with passivated stainless steel connector. Gold plated beryllium copper or stainless steel contacts. RoHS Compliant.

**Calibration:** VSWR performed across frequency range. Calibration test data available at additional cost.

**Low Intermodulation Option:** Add -LIM after connector option to specify low intermodulation.

### Maximum VSWR:

Frequency (GHz)	VSWR
	WA1435
DC - 4.0	1.3
4.0 - 8.5	1.45

### Dimensions:

Connector Type (- code)	Length
	Dimension 'A'
SMA F -01	9.8 (.39)
SMA M -02	10.9 (.43)
N-Type F -03	14.9 (.59)
N-Type M -04	22.7 (.89)
TNC F -05	14.4 (.57)
TNC M -06	17.7 (.70)
7/16 DIN F -07	30.5 (1.2)
7/16 DIN M -08	31.8 (1.25)

**Weight:** 0.5 (17.6)  
**Height:** 51.8 (2.04)  
**Width:** 79.2 (3.12)  
**Mounting:** 6-32 .35"

Note: Dimensions are given in mm (in), or kg (oz). Weight figure is nominal, with our standard connector configuration. Additional connector options may be available.