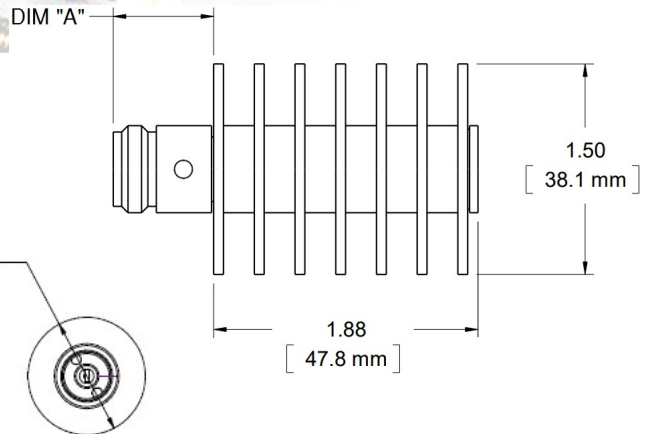


Termination

WA1446

DC - 18.0 GHz

25 WATTS



Features

N-type or SMA stainless steel M/F connector per MIL-STD-348A, interface dimensions mate non-destructively with MIL-PRF-39012. Designed to meet MIL-DTL-3933 environmental specification. Unit may be mounted in any position.

Specifications

Nominal Impedance: 50 ohms.

Frequency Range: DC - 18.0 GHz.

Power Rating: 25 W maximum average rated power to 25°C ambient temperature, de-rated linearly to 2.5 W at 125°C. 1 kW peak power (5 usec pulse width, 1.25% duty cycle).

Temperature Range: -55°C to +125°C.

Construction: Black aluminum alloy body with passivated stainless steel connector. Gold plated beryllium copper or stainless steel contacts. RoHS Compliant.

Calibration: VSWR performed across frequency range. Calibration test data available at additional cost.

Low Intermodulation Option: Add -LIM after connector option to specify low intermodulation.

Maximum VSWR:

Frequency (GHz)	VSWR
	WA1446
DC - 8.0	1.2
8.0 - 12.4	1.25
12.4 - 18.0	1.35

Dimensions:

Connector Type (- code)	Length
	Dimension 'A'
SMA F -01	9.8 (.39)
SMA M -02	10.9 (.43)
N-Type F -03	14.9 (.59)
N-Type M -04	22.7 (.89)

Weight: 0.12 (4.23)
Diameter: 38.1 (1.5)

Note: Dimensions are given in mm (in), or kg (oz). Weight figure is nominal, with our standard connector configuration. Additional connector options may be available.