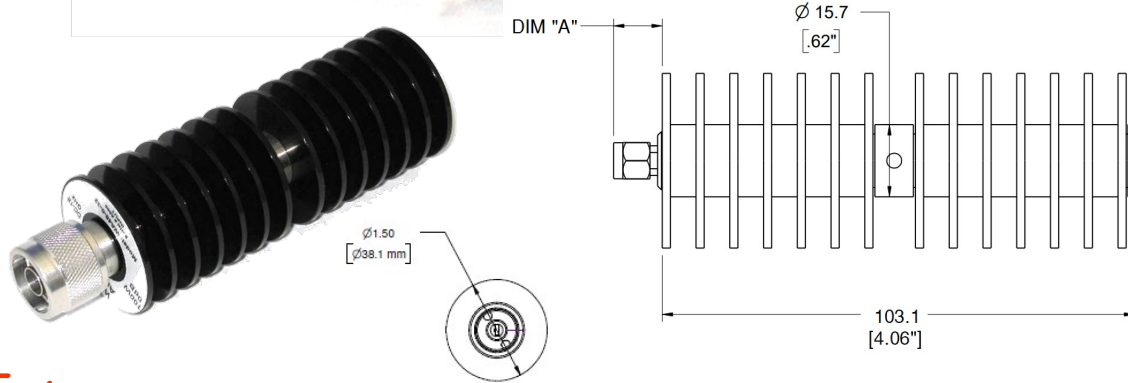


# Termination

# WA1447

## DC - 18.0 GHz

## 50 WATTS



### Features

N-type or SMA stainless steel M/F connector per MIL-STD-348A, interface dimensions mate non-destructively with MIL-PRF-39012. Designed to meet MIL-DTL-3933 environmental specification. Unit may be mounted in any position.

### Specifications

**Nominal Impedance:** 50 ohms.

**Frequency Range:** DC - 18.0 GHz.

**Power Rating:** 50 W maximum average rated power to 25°C ambient temperature, de-rated linearly to 5 W at 125°C. 1 kW peak power (5 µsec pulse width, 2.5% duty cycle).

**Temperature Range:** -55°C to +125°C.

**Construction:** Black aluminum alloy body with passivated stainless steel connector. Gold plated beryllium copper or stainless steel contacts. RoHS Compliant.

**Calibration:** VSWR performed across frequency range. Calibration test data available at additional cost.

**Low Intermodulation Option:** Add -LIM after connector option to specify low intermodulation.

### Maximum VSWR:

Frequency (GHz)	VSWR
	WA1447
DC - 8.0	1.2
8.0 - 12.4	1.25
12.4 - 18.0	1.35

### Dimensions:

Connector Type (- code)	Length
	Dimension 'A'
SMA F -01	9.8 (.39)
SMA M -02	10.9 (.43)
N-Type F -03	14.9 (.59)
N-Type M -04	22.7 (.89)

**Weight:** 0.21 (7.41)  
**Diameter:** 38.1 (1.5)

*Note: Dimensions are given in mm (in), or kg (oz). Weight figure is nominal, with our standard connector configuration. Additional connector options may be available.*