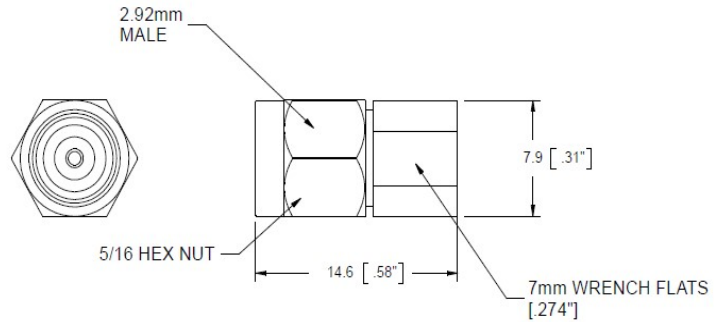


Termination

WA1454

DC – 40.0 GHz

2 WATTS



Features

Precision 2.92 mm stainless steel connector per MIL-STD-348A, interface dimensions mate non-destructively with MIL-PRF-39012. Designed to meet MIL-DTL-39030 environmental specification. Compact, rugged design.

Specifications

Nominal Impedance: 50 ohms.

Frequency Range: WA1454: DC - 40.0 GHz.

Power Rating: 2 W maximum average rated power to 25°C ambient temperature, de-rated linearly to 0.1 W at 125°C. 500 W peak power (5 µsec pulse width, 0.2% duty cycle).

Temperature Range: -55°C to +125°C.

Construction: Passivated stainless steel body and connector. Gold plated beryllium copper contact. RoHS Compliant.

Calibration: VSWR performed across frequency range. Calibration test data available at additional cost.

Option: Chain.
Female 2.92 mm

Frequency (GHz)	VSWR WA1454
DC - 26.5	1.20
26.5 - 40.0	1.30

Maximum VSWR:

Dimensions:

Length: 14.5 (.57)
Weight: 3.83 (.135)

Note: Dimensions are given in mm (in), or g (oz). Weight figure is nominal, with our standard connector configuration. Additional connector options may be available.