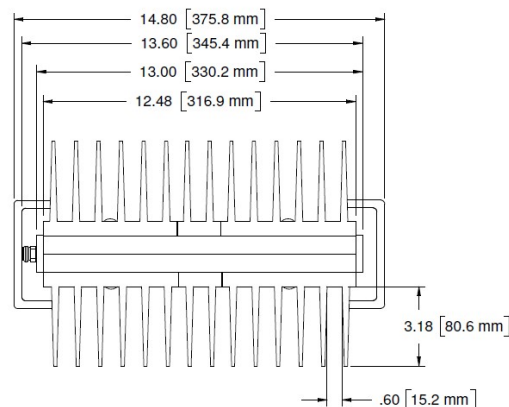
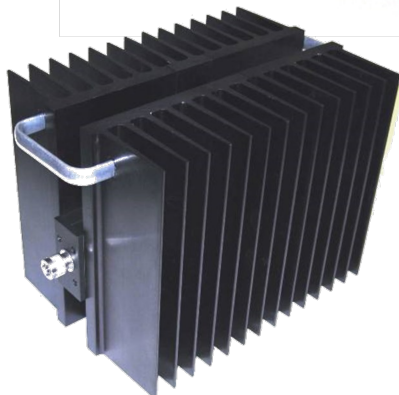


Termination

WA1470

DC - 3.0 GHz

1000 WATTS



Maximum VSWR:

Frequency (GHz)	VSWR
	WA1470
DC - 3.0	1.35

Features

Type N or DIN 7/16 stainless steel M/F connector per MIL-STD-348A, interface dimensions mate nondestructively with MIL-PRF-39012. Designed to meet MIL-DTL-3933 environmental specification. Unit may be mounted in any position. *Natural convection cooling.*

Specifications

Nominal Impedance: 50 ohms.

Frequency Range: DC - 3.0 GHz.

Power Rating: **1000 W** maximum average rated power to 25°C ambient temperature, de-rated linearly to 100 W at 125°C. **10 kW** peak power (5 µsec pulse width, 5% duty cycle).

Temperature Range: -55°C to +125°C.

Construction: Black aluminum alloy body with passivated stainless steel connectors. RoHS Compliant.

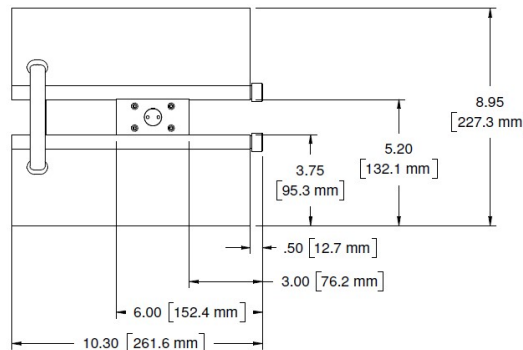
Calibration: VSWR performed across frequency range. Calibration test data available at additional cost.

Dimensions:

Connector Type (- code)	Length
	Dimension 'A'
N-Type F -03	14.9 (.59)
N-Type M -04	22.7 (.89)
DIN 7/16 F -07	30.5 (1.2)
DIN 7/16 M -08	31.8 (1.25)

Weight: 18.20 (130.5)
Height: 261.6 (10.3)
Width: 227.3 (8.95)

Note: Dimensions are given in mm (in), or kg (oz). Weight figure is nominal, with our standard connector configuration. Additional connector options may be available.



WEINSCHEL ASSOCIATES

TEL: 877.948.8342 / 301.963.4630 ♦ Fax: 301.963.8640

WEB: <http://www.WeinschelAssociates.com>

EMAIL: sales@WeinschelAssociates.com

