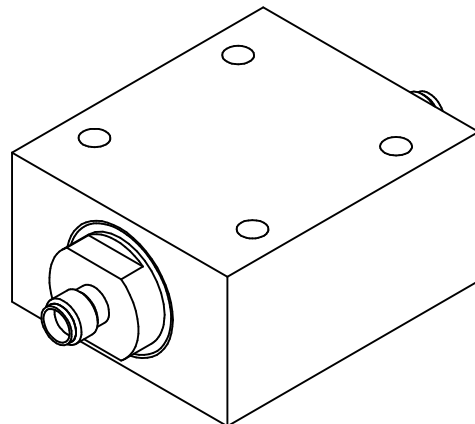
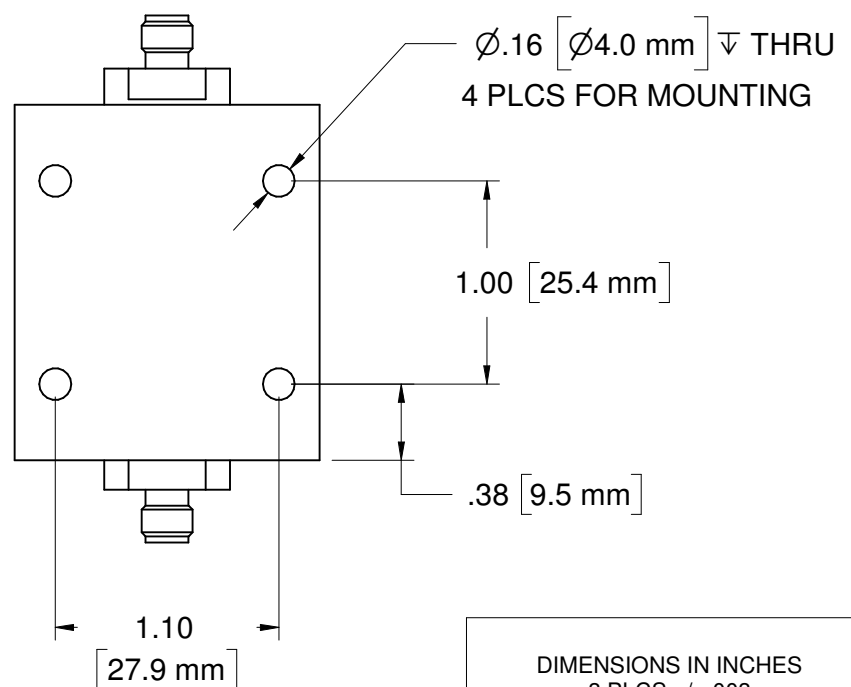
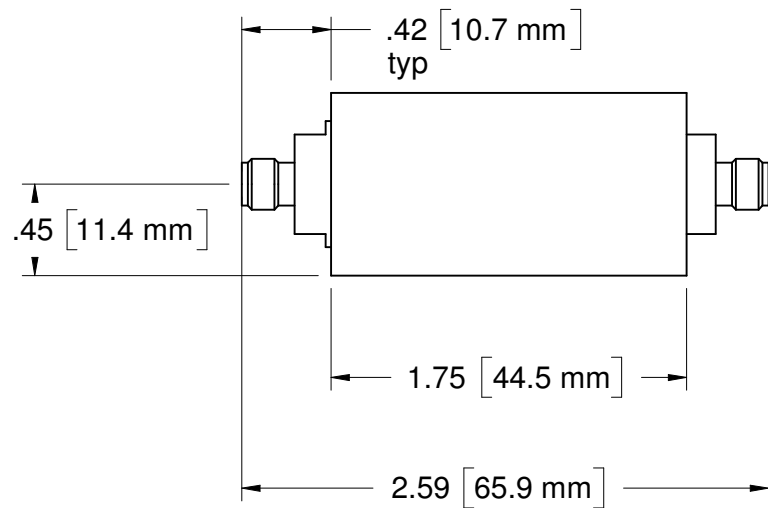
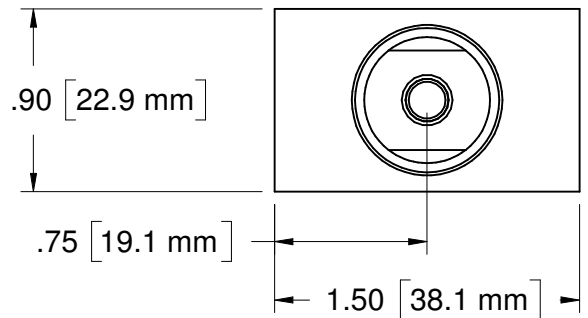


NOTES:
1.

REVISIONS				
ZONE	REV	DESCRIPTION	DATE	APPROVED



PROPERTY OF nVISION INDUSTRIES, INC, COMPANY CONFIDENTIAL

DIMENSIONS IN INCHES 3 PLCS +/- .003 2 PLCS +/- .01 FRACTIONS +/- 1/64 ANGLES +/- 1/2 DEG UNLESS OTHERWISE SPECIFIED	DRAWN	DATE	WEINSCHEL ASSOCIATES 19212 ORBIT DRIVE GAITHERSBURG, MD 20879				
	D. HEFT	12/13/11					
	CHECKED		OUTLINE DRAWING WA21-xx-11 ATTENUATOR				
	QA						
MAT'L: NA	MFG		SIZE	FSCM NO.	DWG NO.	REV	
FINISH: NA	APPROVED		B	0H3E9	B	2	
			SCALE	NONE		SHEET	1 OF 1