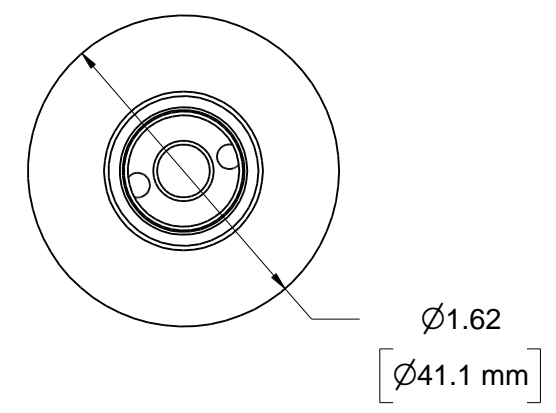
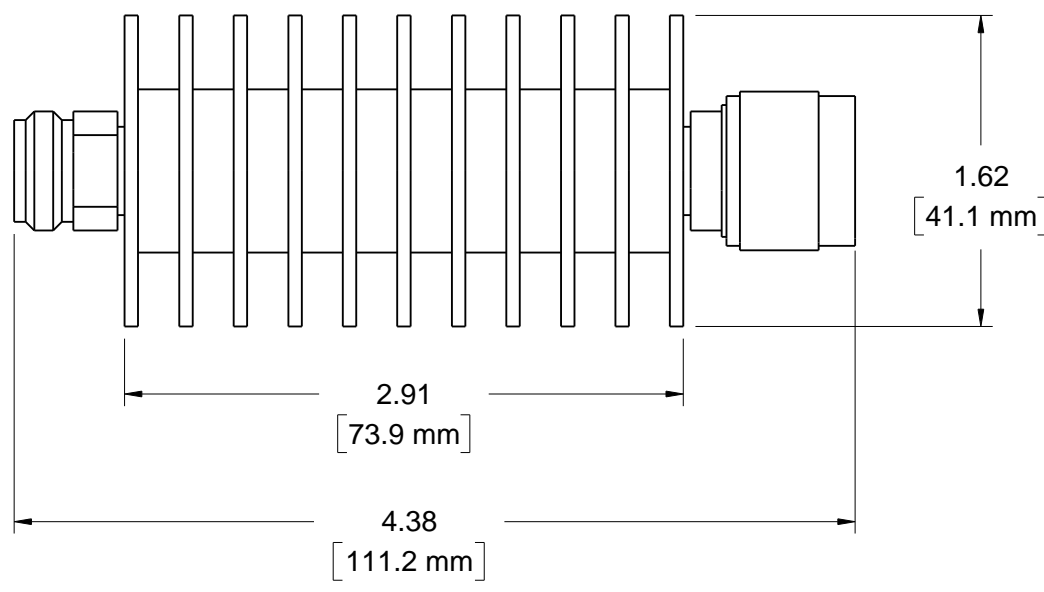


REVISIONS				
ZONE	REV	DESCRIPTION	DATE	APPROVED
	2	UPDATE TO NEW BARREL	1/28/15	DMHEFT



DIMENSIONS IN INCHES 3 PLCS +/- .003 2 PLCS +/- .01 FRACTIONS +/- 1/64 ANGLES +/- 1/2 DEG UNLESS OTHERWISE SPECIFIED	DRAWN D. HEFT	DATE 01/28/15	WEINSCHEL ASSOCIATES 19212 ORBIT DRIVE GAITHERSBURG, MD 20879			
	CHECKED					
	MAT'L: SEE NOTES	QA		OUTLINE DRAWING WA23 AND WA24 ATTENUATOR		
	FINISH: SEE NOTES	MFG				
	APPROVED		SIZE B	FSCM NO. 0H3E9	DWG NO.	REV 2
			SCALE 1:1		SHEET 1 OF 1	

PROPERTY OF nVISION INDUSTRIES, INC, COMPANY CONFIDENTIAL