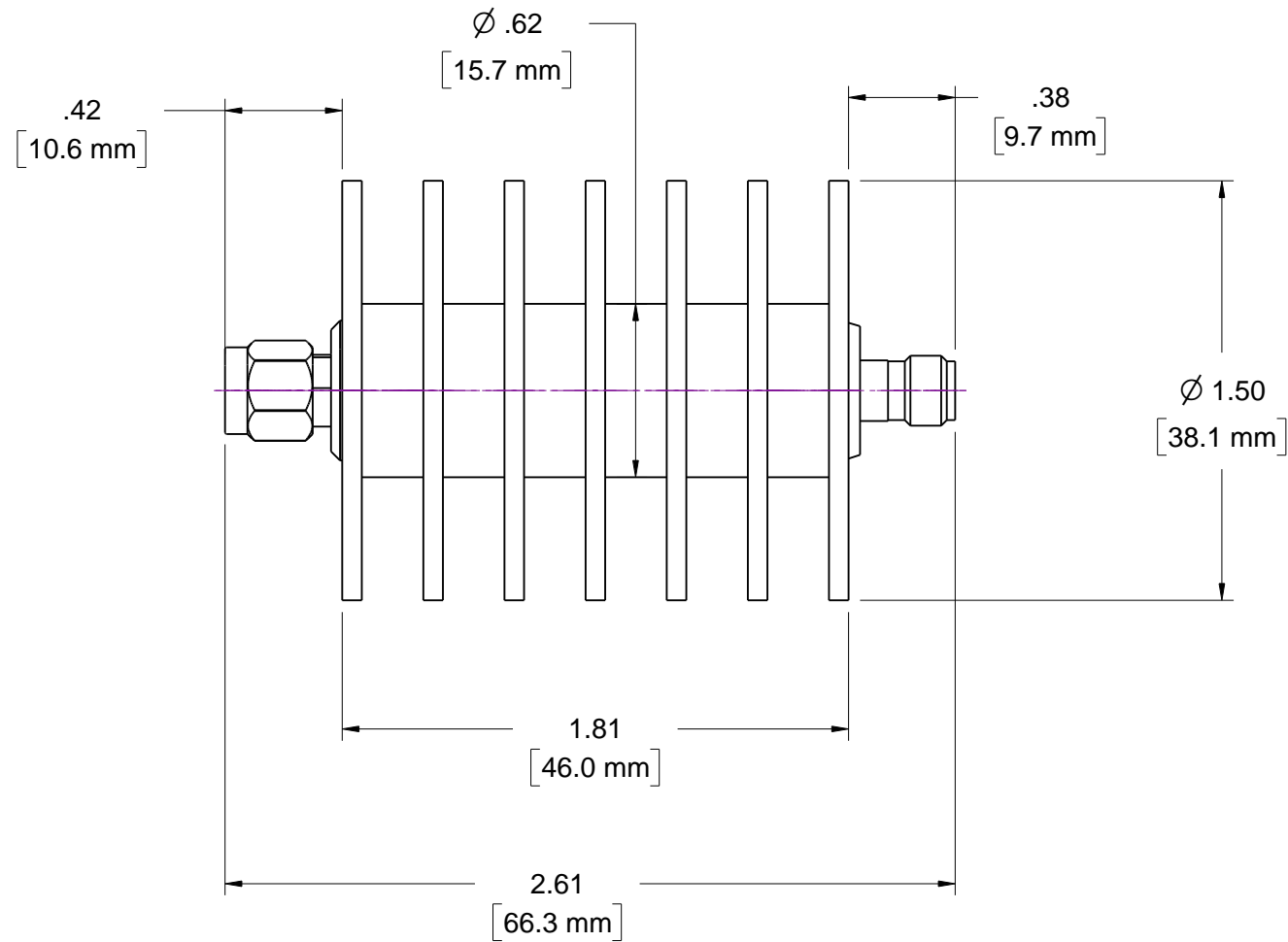


NOTES:
1.

REVISIONS				
ZONE	REV	DESCRIPTION	DATE	APPROVED



DIMENSIONS IN INCHES 3 PLCS +/- .003 2 PLCS +/- .01 FRACTIONS +/- 1/64 ANGLES +/- 1/2 DEG UNLESS OTHERWISE SPECIFIED	DRAWN D. HEFT	DATE 11/27/13	WEINSCHTEL ASSOCIATES 19212 ORBIT DRIVE GAITHERSBURG, MD 20879 OUTLINE DRAWING WA46-xx-12 ATTENUATOR				
	CHECKED						
	MAT'L: NA	QA		SIZE B	FSCM NO. 0H3E9	DWG NO.	REV 1
	FINISH: NA	MFG		SCALE NONE		SHEET 1 OF 1	
	APPROVED						

PROPERTY OF nVISION INDUSTRIES, INC, COMPANY CONFIDENTIAL