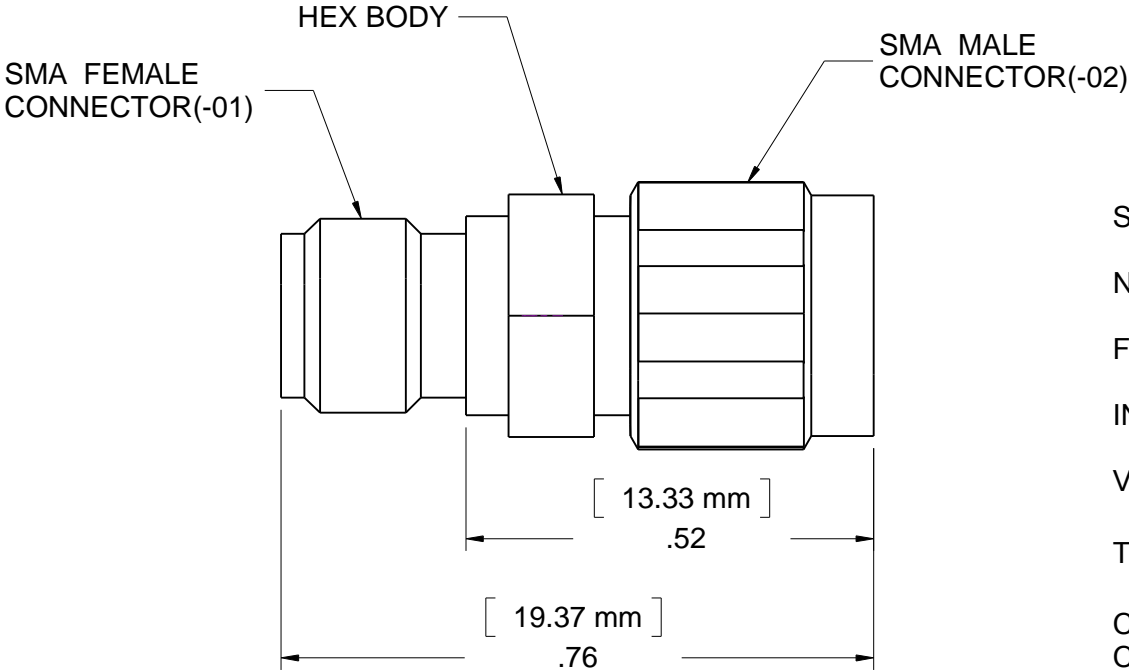


REVISIONS			
REV	DESCRIPTION	DATE	APPROVED



SPECIFICATIONS

NOMINAL IMPEDANCE: 50 OHMS

FREQUENCY RANGE: 9 KHZ TO 26.5 GHZ

INSERTION LOSS: 0.8 dB MAX.

VOLTAGE: 50 VOLTS DC MAX.

TEMPERATURE RANGE: -65° C TO +105° C

CONSTRUCTION: STAINLESS STEEL BODY AND CONNECTORS; GOLD PLATED BERYLLIUM COPPER CONTACTS.

CONNECTOR: SMA FEMALE AND MALE CONNECTORS PER MIL-STD-348A INTERFACE DIMENSIONS MATE NONDESTRUCTIVELY WITH MIL-PRF-39012 CONNECTORS.

WEIGHT: 3.86 g / 0.136 oz.

NOTES: DIMENSIONS ARE GIVEN IN [MM] INCHES AND ARE NOMINAL, UNLESS OTHERWISE SPECIFIED

FREQUENCY (GHZ)	VSWR (MAX.)
9 - 10 KHZ	1.45
11 KHZ - 18.0	1.40
18.0 - 26.5	1.70

PROPERTY OF
nVISION INDUSTRIES, INC
COMPANY CONFIDENTIAL

APPLICATION		DIMENSIONS IN INCHES 3 PLCS +/- .003 2 PLCS +/- .01 FRACTIONS +/- 1/64 ANGLES +/- 1/2 DEG UNLESS OTHERWISE SPECIFIED	DRAWN	DATE	COMPANY			
USED ON	NEXT ASSY		LMT	4/13/16	WEINSCHTEL ASSOCIATES 19212 ORBIT DRIVE GAITHERSBURG, MD 20879			
WA6056H			CHECKED		TITLE			
			QA		OUTLINE DRAWING WA6056H DC BLOCK			
		MAT'L: NONE	MFG		SIZE	FSCM NO.	DWG NO.	REV
		FINISH: NONE	APPROVED	4/13/16	A	0H3E9	200682	1
			DMH		SCALE	SKETCH DWG NO.	SHEET	1 OF 1