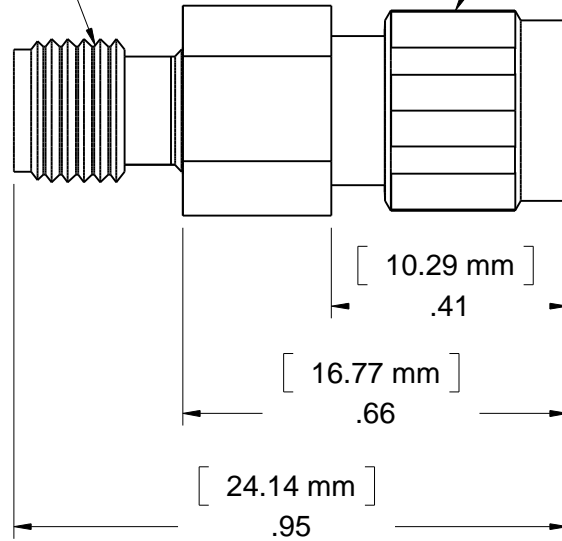


REVISIONS			
REV	DESCRIPTION	DATE	APPROVED

3.5MM FEMALE CONNECTOR(-11)

3.5MM MALE CONNECTOR(-12)



**SPECIFICATIONS**

NOMINAL IMPEDANCE: 50 OHMS

FREQUENCY RANGE: 9 KHZ TO 30 GHZ

INSERTION LOSS: 1.0 dB MAX.

VOLTAGE: 50 VOLTS DC MAX.

TEMPERATURE RANGE: -65° C TO +105° C

CONSTRUCTION: STAINLESS STEEL BODY AND CONNECTORS; GOLD PLATED BERYLLIUM COPPER CONTACTS.

CONNECTOR: 3.5MM FEMALE AND MALE CONNECTORS PER MIL-STD-348A INTERFACE DIMENSIONS MATE NONDESTRUCTIVELY WITH MIL-PRF-39012 CONNECTORS.

WEIGHT: X.XXg / XX.Xoz.(TBD)

NOTES: DIMENSIONS ARE GIVEN IN [MM] INCHES AND ARE NOMINAL, UNLESS OTHERWISE SPECIFIED

FREQUENCY (GHZ)	VSWR (MAX.)
9 - 10 KHZ	1.45
10 KHZ - 18	1.35
18 - 30	1.70

APPLICATION		DIMENSIONS IN INCHES 3 PLCS +/- .003 2 PLCS +/- .01 FRACTIONS +/- 1/64 ANGLES +/- 1/2 DEG UNLESS OTHERWISE SPECIFIED	DRAWN	DATE	COMPANY	
USED ON	NEXT ASSY		MAT'L: NONE	LMT	7/22/15	WEINSCHEL ASSOCIATES 19212 ORBIT DRIVE GAITHERSBURG, MD 20879
WA6057H		CHECKED			TITLE OUTLINE DRAWING WA6057H DC BLOCK	
		FINISH: NONE	QA		SIZE A FSCM NO. 0H3E9 DWG NO. 200673 REV 1	
			APPROVED	DMH	7/22/15	SCALE 3:1

PROPERTY OF  
nVISION INDUSTRIES, INC  
COMPANY CONFIDENTIAL