

SPECIFICATIONS

ELECTRICAL

FREQUENCY RANGE: DC TO 18 GHz (12.4 GHz for Model WA92/12)

NOMINAL IMPEDANCE: 50 OHMS

ATTENUATION: 10, 20, 30, 40 dB

ATTENUATION ACCURACY:

10 dB: +/- 2 dB

20, 30, 40 dB: +/- 1.5 dB

LIM OPTION: +/- 3 dB

VSWR, MAXIMUM:

10 dB: 1.60:1

20, 30, 40 dB: 1.50:1

INPUT POWER, MAXIMUM: 150 Wcw/1 Kw peak

(5 microsecond PW, 7.5% DUTY CYCLE), UNIDIRECTIONAL

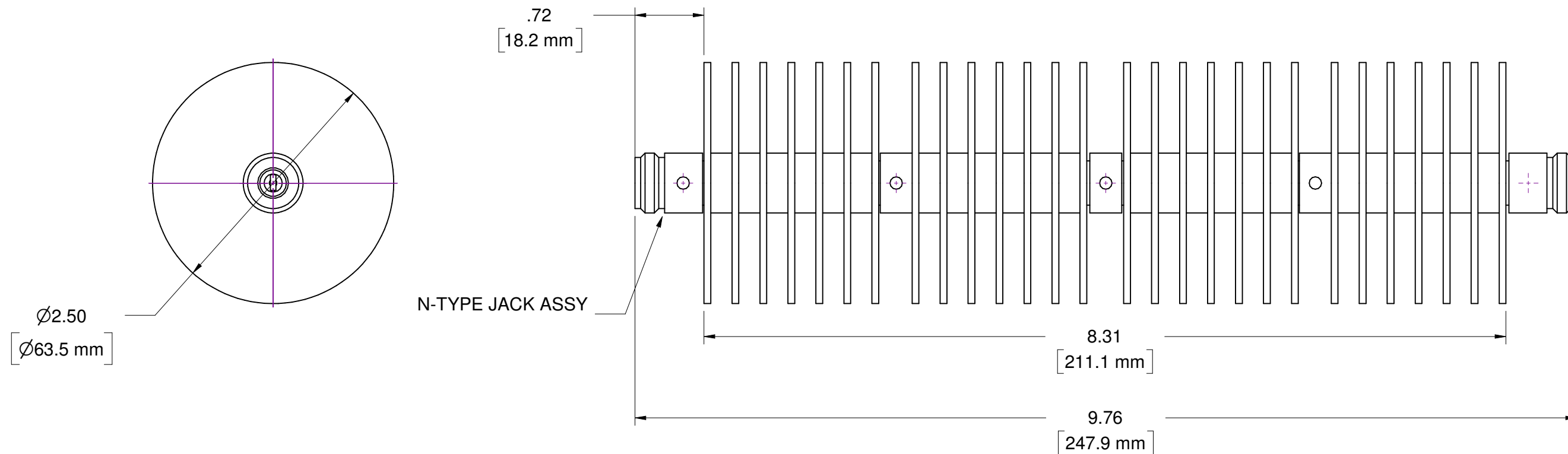
MAXIMUM POWER INTO OUTPUT PORT: 10 Wcw

POWER COEFFICIENT: <0.0002 dB/dB/Watt

TEMPERATURE RANGE: -55 C TO +125 C

TEMPERATURE COEFFICIENT: <0.0004 dB/dB/C

REVISIONS				
ZONE	REV	DESCRIPTION	DATE	APPROVED



PROPERTY OF nVISION INDUSTRIES, INC, COMPANY CONFIDENTIAL

DIMENSIONS IN INCHES 3 PLCS +/- .003 2 PLCS +/- .01 FRACTIONS +/- 1/64 ANGLES +/- 1/2 DEG UNLESS OTHERWISE SPECIFIED	DRAWN	DATE	WEINSCHEL ASSOCIATES 19212 ORBIT DRIVE GAITHERSBURG, MD 20879			
	D. HEFT	05/08/12				
	CHECKED		OUTLINE DRAWING WA92 ATTENUATOR			
	QA					
MAT'L: NA	MFG		SIZE	FSCM NO.	DWG NO.	REV
FINISH: NA	APPROVED		B	0H3E9	B205130-33	2
			SCALE			SHEET
			1:1.25			1 OF 1