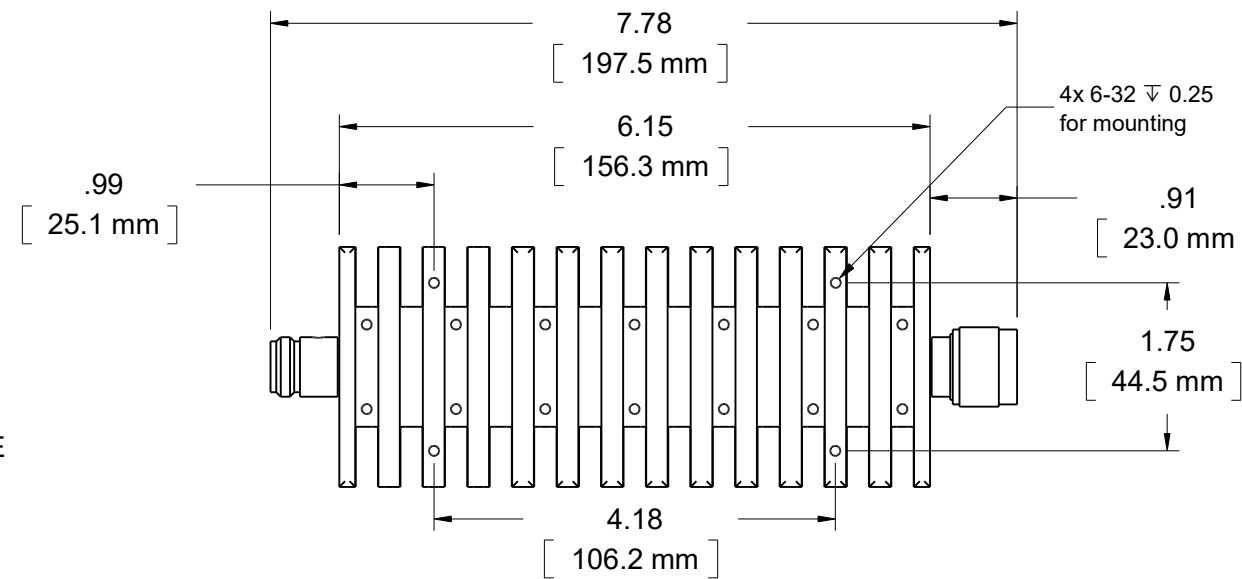
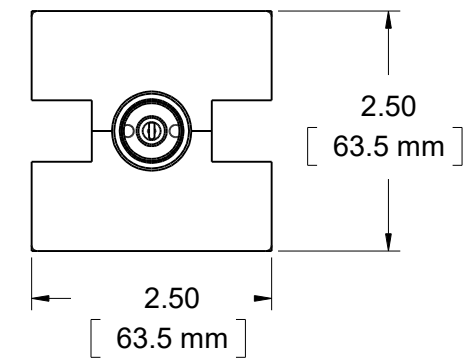
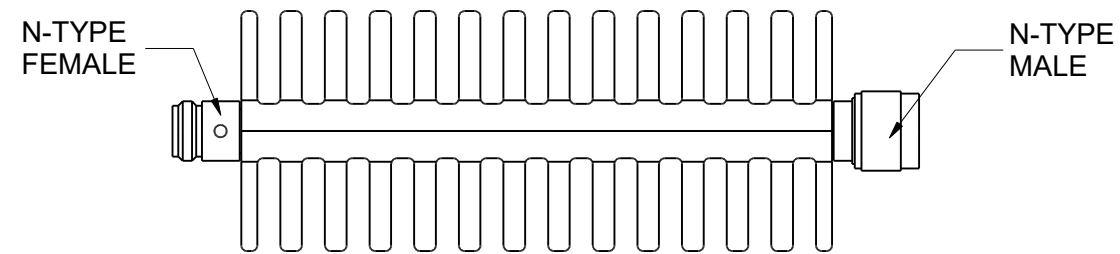


REVISIONS

ZONE	REV	DESCRIPTION	DATE	APPROVED
------	-----	-------------	------	----------

SPECIFICATIONS

FREQUENCY RANGE: DC - 18 GHz
 ATTENUATION VALUES: 10, 20, 30 dB
 ATTENUATION ACCURACY:
 10 dB, +/- 1.50 dB
 20 and 30 dB, +/- 1.40 dB
 POWER INPUT: 100 Wcw, 1 kW PEAK (5 microsecond PW, 5% max Duty Cycle)
 Power ratings for horizontal operation at +25 C
 derate linearly to 10 W at +125 C
 VSWR, MAX:
 DC to 8.0 GHz, 1.25:1
 8.0 to 12.4 GHz, 1.30:1
 12.4 to 18.0, 1.40:1
 TEMPERATURE COEFFICIENT: 0.0006 dB/dB/C MAX
 POWER COEFFICIENT: 0.005 dB/dB/W
 WEIGHT (MAX): 1.5 kg/3.2 lb



N-TYPE MALE/FEMALE CONFIGURATION SHOWN
 OTHER CONNECTOR CONFIGURATIONS AVAILABLE
 USING N-TYPE, SMA, AND/OR TNC CONNECTORS

DIMENSIONS IN INCHES 3 PLCS +/- .003 2 PLCS +/- .01 FRACTIONS +/- 1/64 ANGLES +/- 1/2 DEG UNLESS OTHERWISE SPECIFIED	DRAWN D. HEFT	DATE 05/10/18	WEINSCHEL ASSOCIATES 2505 BACK ACRE CIRCLE MOUNT AIRY, MD 21771		
	CHECKED		OUTLINE DRAWING WA93 ATTENUATOR 18 GHz, 100 W, BIDIRECTIONAL		
	QA		SIZE B	FSCM NO. 0H3E9	DWG NO.
	MFG		SCALE NONE	SHEET 1 OF 1	REV 1
MAT'L: NA	APPROVED				
FINISH: NA					